

**EDI-Recommendations
of GS1 Germany
Version 9.3
Food/(Non)Food**

Receiving Advice
(RECADV)

EANCOM 2002 Syntax 3

Introduction.....	2
Business Terms.....	9
Branching Diagram.....	14
Message Structure.....	26
Segmentlayout.....	30
Codes.....	121
Example.....	193

Einführung

Introduction & Examples

The aim of the brochure on hand is to offer documentation describing the exchange of receiving data between business partners.

The basis of this elaboration is the international standard EANCOM® 2002. The message type RECADV 009 is used to transmit relevant data. GEFEG.FX (Gefeg mbH, Berlin) was used as the documentation tool.

Please be aware to know that this booklet does not replace the complete specifications in the original chapters or other relevant instructions within the EANCOM® 2002 documentation. Instead, it deals with the description of segments, data elements and codes to be used for a specific task.

The current documentation has been produced by the GS1 Germany GmbH in Cologne. GS1 Germany assumes no liability for any damages incurring from the use of this documentation. This brochure or extracts thereof may only be published or forwarded to third parties with the express written consent of GS1 Germany, which holds copyright on this work.

GS1 Germany thanks all experts who contributed significantly to these guidelines with knowledge from their daily business.

Important note

To fulfill the requirements of directive 2003/58/EG, article 4, C058 has been opened in NAD segments identifying a message sender. If the place in the 5 DE 3124 is not sufficient, the following RFF segments can be used, qualified with DE 1153 = GN. DE 1154 has got a capacity of 70 digits. Only in those cases, when no RFF segment follows NAD, a RFF+GN can be used in the heading section of the message. Within the EDI recommendations of GS1 Germany this is only applicable for the messages REMADV and SLSFCT.

This brochure offers different ways to start

Introduction

"Introduction" contains a short description of the respective message.

BusinessTerms

"Business Terms", is a table which links directly to the sequence numbers of the segments.

Diagram

"Diagram", is a hierarchical graphic depiction of all used segments in the same sequence as they are defined in the EANCOM® message. However, every segment is shown only once, and it is therefore possible that the sequence numbering is interrupted.

Structure

"Structure", is a list of all used segments in the same sequence as they are defined in the EANCOM® message. In general, for each piece of information one single segment is provided. Exeptions may arise when the the occurrence of a segment is limited and can contain alternative information (e.g., segment BGM).

Segmentlayout

"Segmentlayout", an illustration that has been chosen to match the business terms (data from the inhouse application) with the elements from the EANCOM® syntax.

Einführung

Codes

"Codes" contains a list of the codes used in the message.

Examples

"Examples", provides at least one message example with comments. Please note that, for technical reasons, the examples can contain component data element separators, which would otherwise be represented as data element separators in the original messages.

Print

"Print" opens the PDF documentation for the corresponding message.

Message structure

Heading section

Specification of message sender and receiver, delivery party, receiving date and document number.

Detail section

The detail section mirrors the detail section of the DESADV message and is used to specify differences between quantities advised and received, if applicable.

Summary section

The summary section contains no data and has syntactical reasons.

Project description

The receiving advice message is sent from the retailer to the supplier after the physical receiving of goods. It specifies details of goods received on agreed conditions.

The message relates to a single despatch point and a single receiving point. It may cover a number of different items or packages. It gives information to the consignor about received and accepted/not accepted goods.

New with recommendation 2008:

The transmission of a DESADV by the sender of goods is a pre-condition for that process. The following RECADV indicates again all information of the heading and detail section inclusive SSCC. It is also recommended to send back the batch number. This is to be agreed bilaterally by the partners. Like SSCC the indication is not mandatory, but helps in the process of tracking and tracing. Both, correct deliveries and discrepancies are communicated. The data from the RECADV can directly be used to create an INVOIC without differences.

This procedure is recommended to minimise differences in invoices at later time.

The segments QTY and QVR in SG 22

Overview of the qualifiers used in the examples in RECADV

Einführung

Einführung

Segment, Codelist	Qualifier	Meaning
QTY, DE 6063	12	Despatch quantity
	46	Delivered quantity
	194	Received and accepted
QVR, DE 6063	119	Short shipped
	121	Over shipped
	195	Received, not accepted, to be returned
	196	Received, not accepted, to be destroyed
QVR, DE 4221	AF	Goods delivered damaged
	AG	Delivered too late
	OS	Item out of stock because of strike of force majeure (OS = Regulatory reasons)
QVR, DE 4295	AT	Item not ordered
	BM	Minimum/maximum product durability date unacceptable
	BX	Delivered too late

RECADV Example 1

Example 1	Acceptance of the complete delivery
Shipped / Advised	100
Delivered	100
Received and accepted	100
<p>The RECADV message mirrors the header and positionlevel of the received DESADV message and contains a reference to its document number in the header level.</p> <p>In all following cases, the RECADV message mirrors the header and position level of the received DESADV message and contains a reference to its document number in the header level. In addition, the item level contains information about differences between ordered and received/accepted quantity.</p>	

RECADV Example 2

Einführung

Example 2 Acceptance of items not ordered	
Shipped / Advised	100
Delivered	100
Received and accepted	100
QTY+12:100'	Quantity shipped / Quantity advised equal to 100.
QTY+46:100'	Delivered quantity equal to 100.
QTY+194:100'	Received and accepted quantity equal to 100.

RECADV Example 3

Example 3 Refusal of acceptance / Complete advised quantity is rejected	
Shipped / Advised	100
Delivered	100
Received and accepted	0
Reasons, Activity	Acceptance refused, not ordered.
QTY+12:100'	Quantity shipped / Quantity advised equal to 100.
QTY+46:100'	Delivered quantity equal to 100.
QTY+194:0'	Received and accepted quantity equal to 0.
QVR+- 100:196++AT'	Quantity deviation of minus 100.

RECADV Example 4

Example 4 Refusal of acceptance / Advised partial quantity is rejected	
Shipped / Advised	100
Delivered	100
Received and accepted	95
Reasons, Activity	5 damaged
QTY+12:100'	Quantity shipped / Quantity advised equal to 100.
QTY+46:100'	Delivered quantity equal to 100.
QTY+194:95'	Received and accepted quantity equal to 95.
QVR+- 5:196+AF'	Quantity deviation of minus 5.

RECADV Example 5

Einführung

Example 5 Delivery with missing quantity / underdelivery	
Shipped / Advised	100
Delivered	85
Received and accepted	85
Reasons, Activity	15 missing
QTY+12:100'	Quantity shipped / Quantity advised equal to 100.
QTY+46:85'	Delivered quantity equal to 85.
QTY+194:85'	Received and accepted quantity equal to 85.
QVR+- 15:119'	Quantity deviation of minus 15.

RECADV Example 6

Example 6 Overdelivery is accepted	
Shipped / Advised	100
Delivered	200
Received and accepted	200
Reasons, Activity	100 additionally received and accepted
QTY+12:100'	Quantity shipped / Quantity advised equal to 100.
QTY+46:200'	Delivered quantity equal to 200.
QTY+194:200'	Received and accepted quantity equal to 200.
QVR+100:121'	Quantity deviation of plus 100.

RECADV Example 7

Example 7 Overdelivery is not accepted	
Shipped / Advised	100
Delivered	200
Received and accepted	100
Reasons, Activity	100 received and accepted and 100 rejected
QTY+12:100'	Quantity shipped / Quantity advised equal to 100.
QTY+46:200'	Delivered quantity equal to 200.
QTY+194:100'	Received and accepted quantity equal to 100.

RECADV Example 8

Einführung

Example 8 Durability unacceptable	
Shipped / Advised	100
Delivered	100
Received and accepted	0
Reasons, Activity	100 back
QTY+12:100'	Quantity shipped / Quantity advised equal to 100.
QTY+46:100'	Delivered quantity equal to 100.
QTY+194:0'	Received and accepted quantity equal to 0.
QVR+100:195++BM'	Quantity deviation of minus 100 will be returned, because expiration date is unacceptable.

RECADV Example 9

Example 9 Delivered too late, back	
Shipped / Advised	100
Delivered	100
Received and accepted	0
Reasons, Activity	100 back
QTY+12:100'	Quantity shipped / Quantity advised equal to 100.
QTY+46:100'	Delivered quantity equal to 100.
QTY+194:0'	Received and accepted quantity equal to 0.
QVR+100:195++BX'	Quantity deviation of minus 100 will be returned, because delivered too late.

Business Terms

Business Term	EANCOM-Segment		Data Element	
	Seg.-No.	Segment SG	DEG	DE
Acknowledgement request	2	UNB		0031
Address for reverse routing	2	UNB	S002	0008
Aggregated level unique identifier (aUI)	70	RFF SG16#3\SG22#1\SG28#5	C506	1154
Application reference	2	UNB		0026
Article group code (Display content)	79	PIA SG16#3\SG22#2	C212	7140
Articles promotional variant	58	PIA SG16#3\SG22#1	C212	7140
Articles promotional variant (Display content)	80	PIA SG16#3\SG22#2	C212	7140
Batch number	59	PIA SG16#3\SG22#1	C212	7140
Batch number (Display content)	80	PIA SG16#3\SG22#2	C212	7140
Batch number (package)	73	GIN SG16#3\SG22#1\SG29#1\SG31#1	C208	7402
Beginn of message	3	UNH		0062
Best before date	65	DTM SG16#3\SG22#1	C507	2380
Buyer's part number (Display content)	79	PIA SG16#3\SG22#2	C212	7140
Buyers additional identification	24	RFF SG4#4\SG5#2	C506	1154
Buyers article number	57	PIA SG16#3\SG22#1	C212	7140
Buyers order number	14	RFF SG1#2	C506	1154
Buyers order number (Detail section articles)	68	RFF SG16#3\SG22#1\SG28#2	C506	1154
Character set	2	UNB	S001	0001
Company registration number (German ElektroG)	69	RFF SG16#3\SG22#1\SG28#3	C506	1154
Component data element separator	1	UNA		UNA1
Contact person	26	CTA SG4#4\SG6#1	C056	3412
Control information	82	CNT	C270	6066
Country of receiver, coded	16	NAD SG4#1		3207
Creation date	5	DTM	C507	2380
Data element separator	1	UNA		UNA2
Decimal notation	1	UNA		UNA3
Delivered quantity	61	QTY SG16#3\SG22#1	C186	6060
Delivery note	15	RFF SG1#6	C506	1154
Delivery party additional identification	17	RFF SG4#1\SG5#1	C506	1154
Delivery party identification	16	NAD SG4#1	C082	3039
Despatch advice	13	RFF SG1#1	C506	1154
Despatched quantity / Advised quantity	62	QTY SG16#3\SG22#1	C186	6060

Business Terms

Business Term	EANCOM-Segment		Data Element	
	Seg.-No.	Segment SG	DEG	DE
Document Number	4	BGM	C106	1004
EANCOM	2	UNB		0032
Economic operator identifier (EO-ID)	18	RFF SG4#1\SG5#2	C506	1154
Economic operator identifier (EO-ID)	25	RFF SG4#4\SG5#3	C506	1154
End of the transmission file, Number of messages or message groups	84	UNZ		0036
Expiry date	66	DTM SG16#3\SG22#1	C507	2380
Facility identifier (F-ID)	19	RFF SG4#1\SG5#3	C506	1154
File creation date	2	UNB	S004	0017
File creation time	2	UNB	S004	0019
Freight forwarder	31	NAD SG4#8	C082	3039
Freight forwarders additional identification	32	RFF SG4#8\SG5#1	C506	1154
Global Individual Asset Identifier (GIAI) (despatch unit/s / articles)	51	GIN SG16#3\SG17#1\SG18#3\SG20#1	C208	7402
Global Individual Asset Identifier (GIAI) (despatch unit/s)	42	GIN SG16#2\SG17#1\SG18#3\SG20#1	C208	7402
Global Returnable Asset Identifier (GRAI) (despatch units)	40	GIN SG16#2\SG17#1\SG18#2\SG20#1	C208	7402
Global Returnable Asset Identifier (GRAI) (despatch units/articles)	49	GIN SG16#3\SG17#1\SG18#2\SG20#1	C208	7402
Goods receipt date	6	DTM	C507	2380
Goods receipt period	7	DTM	C507	2380
GTIN (package)	74	GIN SG16#3\SG22#1\SG29#1\SG31#2	C208	
GTIN Article identification	54	LIN SG16#3\SG22#1	C212	7140
GTIN Article identifikation (Display content)	77	LIN SG16#3\SG22#2	C212	7140
Harmonised system (Display content)	80	PIA SG16#3\SG22#2	C212	7140
Hierarchy level	35	CPS SG16#2		7166
Hierarchy level (despatch units / articles)	44	CPS SG16#3		7166
Identification of buyer/invoicee	22	NAD SG4#4	C082	3039
Identification of invoicee	27	NAD SG4#5	C082	3039
Indentification of the receiver of the transmission file	2	UNB	S003	0010
Indentification of the sender of the transmission file	2	UNB	S002	0004

Business Terms

Business Term	EANCOM-Segment		Data Element	
	Seg.-No.	Segment SG	DEG	DE
Interchange control reference, beginnig	2	UNB		0020
Interchange control reference, end	84	UNZ		0020
Invoicees additional identification	28	RFF SG4#5\SG5#1	C506	1154
Label type, code	53	PCI SG16#3\SG17#1\SG18#5	C210	7102
Label type, code (Article)	76	PCI SG16#3\SG22#1\SG29#2	C210	7102
Label, description/content	53	PCI SG16#3\SG17#1\SG18#5	C210	7102
Label, description/content (article)	76	PCI SG16#3\SG22#1\SG29#2	C210	7102
Line item number	54	LIN SG16#3\SG22#1		1082
Line item number (Display content)	77	LIN SG16#3\SG22#2		1082
Marking on package	72	PCI SG16#3\SG22#1\SG29#1		4233
Marking with GIAI (despatch unit/s /articles)	50	PCI SG16#3\SG17#1\SG18#3		4233
Marking with GIAI (despatch unit/s)	41	PCI SG16#2\SG17#1\SG18#3		4233
Marking with GRAI (despatch units)	39	PCI SG16#2\SG17#1\SG18#2		4233
Marking with GRAI (despatch units/articles)	48	PCI SG16#3\SG17#1\SG18#2		4233
Marking with number of a package (consignment)	43	PCI SG16#2\SG17#1\SG18#4		4233
Marking with number of a package (consignment)	52	PCI SG16#3\SG17#1\SG18#4		4233
Marking with SSCC (despatch units / articles)	46	PCI SG16#3\SG17#1\SG18#1		4233
Marking with SSCC (despatch units)	37	PCI SG16#2\SG17#1\SG18#1		4233
Message reference number	3	UNH		0062
Name 1 of the receiver	16	NAD SG4#1	C080	3036
Name 1 of the ultimate cosignee	20	NAD SG4#2	C080	3036
Name 2 of the receiver	16	NAD SG4#1	C080	3036
Name 2 of the ultimate consignee	20	NAD SG4#2	C080	3036
Name 3 of the receiver	16	NAD SG4#1	C080	3036
Name 3 of the ultimate consignee	20	NAD SG4#2	C080	3036
Number of a package	43	PCI SG16#2\SG17#1\SG18#4	C210	7102
Number of a package	52	PCI SG16#3\SG17#1\SG18#4	C210	7102

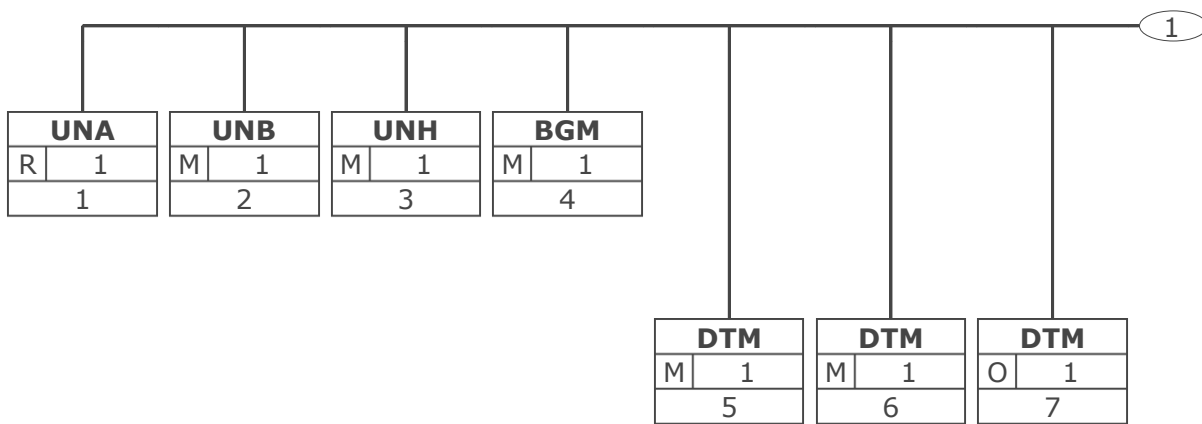
Business Terms

Business Term	EANCOM-Segment		Data Element	
	Seg.-No.	Segment SG	DEG	DE
Number of packages (despatch units / articles)	45 PAC	SG16#3\SG17#1		7224
Number of packages (despatch units)	36 PAC	SG16#2\SG17#1		7224
Number of packages within the consignment	34 PAC	SG16#1\SG17#1		7224
Order line item number	68 RFF	SG16#3\SG22#1\SG28#2	C506	1156
Order line number	67 RFF	SG16#3\SG22#1\SG28#1	C506	1156
Password interchange	2 UNB		S005	0022
Place of receiver - name of a city (town, village) for addressing purposes.	16 NAD	SG4#1		3164
Place of ultimate consignee - name of a city (town, village) for addressing purposes.	20 NAD	SG4#2		3164
Postcode of receiver	16 NAD	SG4#1		3251
Postcode of ultimate consignee	20 NAD	SG4#2		3251
Purchasing contact department	26 CTA	SG4#4\SG6#1	C056	3413
Quantity accepted	63 QTY	SG16#3\SG22#1	C186	6060
Quantity content display(s)	81 QTY	SG16#3\SG22#2	C186	6060
Quantity variance	64 QVR	SG16#3\SG22#1	C279	6064
Release character	1 UNA			UNA4
Reserved for future use	1 UNA			UNA5
Routing address	2 UNB		S003	0014
Segment terminator	1 UNA			UNA6
Sequence number of packages within the consignment	33 CPS	SG16#1		7164
Sequence of the packages (despatch units / articles)	44 CPS	SG16#3		7164
Sequence of the packages (despatch units)	35 CPS	SG16#2		7164
Serial number	60 PIA	SG16#3\SG22#1	C212	7140
Serial number (Display content)	79 PIA	SG16#3\SG22#2	C212	7140
Serial Shipping Container Code (SSCC at article)	47 GIN	SG16#3\SG17#1\SG18#1\SG20#1	C208	7402
Serial Shipping Container Code (SSCC)	38 GIN	SG16#2\SG17#1\SG18#1\SG20#1	C208	7402
Serialised GTIN (package)	75 GIN	SG16#3\SG22#1\SG29#1\SG31#3	C208	7402
Statements on business letters	23 RFF	SG4#4\SG5#1	C506	1154

Business Terms

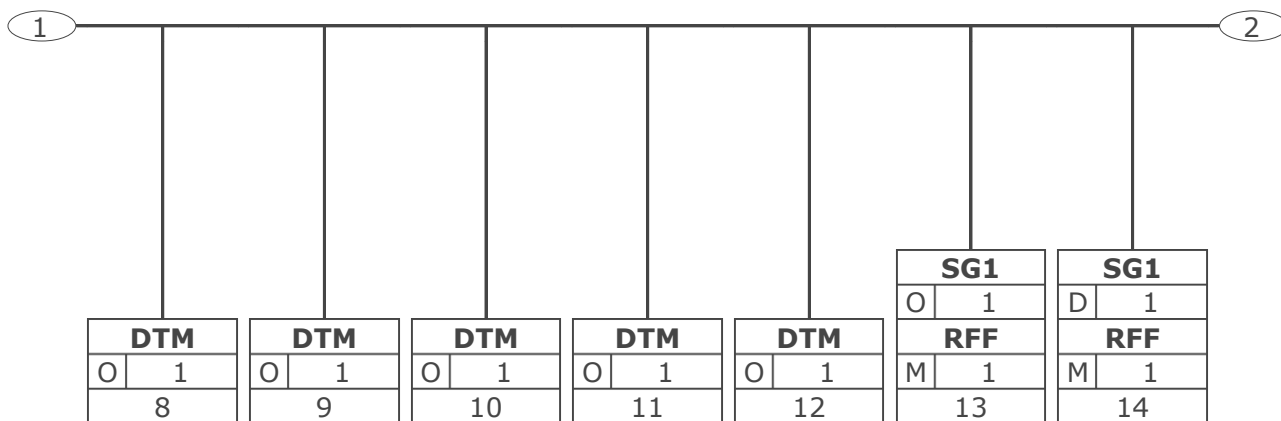
Business Term	EANCOM-Segment		Data Element	
	Seg.-No.	Segment	SG	DEG DE
Street and number of receiver	16	NAD	SG4#1	C059 3042
Street of ultimate consignee	20	NAD	SG4#2	C059 3042
Sub line to describe assortment/display. Listing of included units.	77	LIN	SG16#3\SG22#2	1082
Supplier identification	29	NAD	SG4#6	C082 3039
Suppliers article number	55	PIA	SG16#3\SG22#1	C212 7140
Suppliers article number (Display content)	78	PIA	SG16#3\SG22#2	C212 7140
Suppliers additional identification	30	RFF	SG4#6\SG5#1	C506 1154
Suppliers article number (Display content)	79	PIA	SG16#3\SG22#2	C212 7140
Suppliers article number (secondary indent.)	56	PIA	SG16#3\SG22#1	C212 7140
Syntax version	2	UNB		S001 0002
Test indicator	2	UNB		0035
Time stamp S1: Arrival	8	DTM		C507 2380
Time stamp S2: Call for loading / unloading	9	DTM		C507 2380
Time stamp S3: Start of loading / unloading	10	DTM		C507 2380
Time stamp S4: End of loading / unloading	11	DTM		C507 2380
Time stamp S5: Release to exit	12	DTM		C507 2380
Total number of segments	83	UNT		0074
Type of packages	34	PAC	SG16#1\SG17#1	C202 7065
Ultimate consignee additional identification	21	RFF	SG4#2\SG5#1	C506 1154
Ultimate consignee identification	20	NAD	SG4#2	C082 3039
Ultimate customers order number	67	RFF	SG16#3\SG22#1\SG28#1	C506 1154
Unit packet level unique identifier (upUI)	71	RFF	SG16#3\SG22#1\SG28#6	C506 1154

Branching Diagram



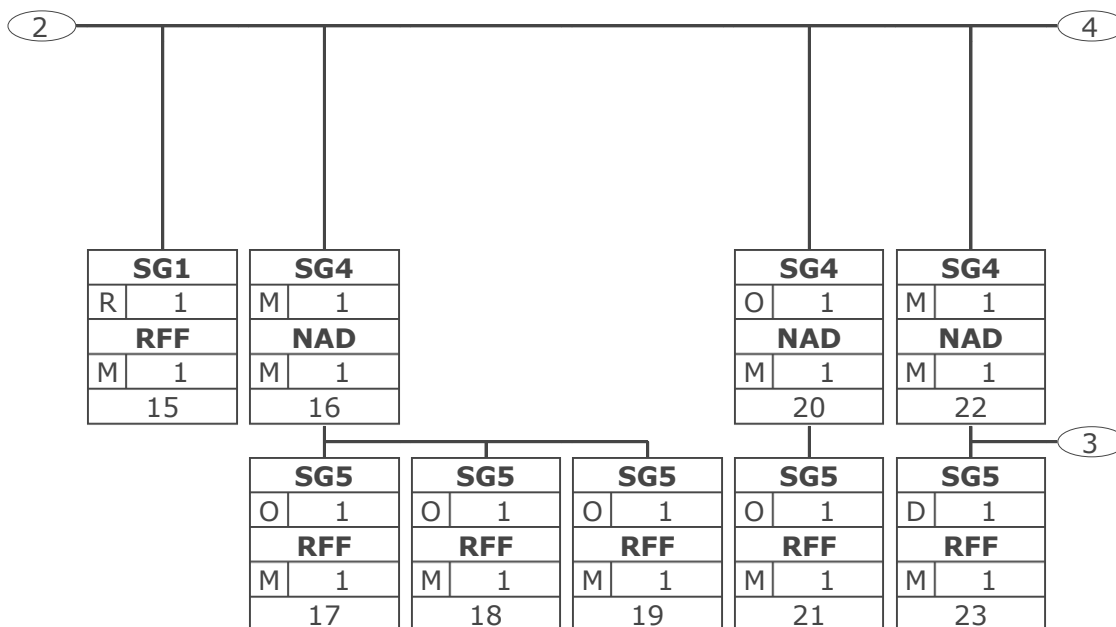
Tag	Tag = Segment/Group Tag	
St	MaxOcc	St = Status (M=Mandatory, C=Conditional, R=Required, O=Optional, A=Advised, D=Dependent)
No	MaxOcc = Maximum occurrence of the segment/group; No = Consecutive segment number	

Branching Diagram



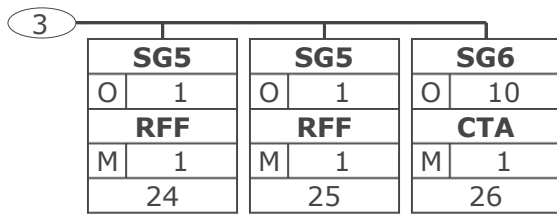
Tag	Tag = Segment/Group Tag
St MaxOcc	St = Status (M=Mandatory, C=Conditional, R=Required, O=Optional, A=Advised, D=Dependent)
No	MaxOcc = Maximum occurrence of the segment/group; No = Consecutive segment number

Branching Diagram



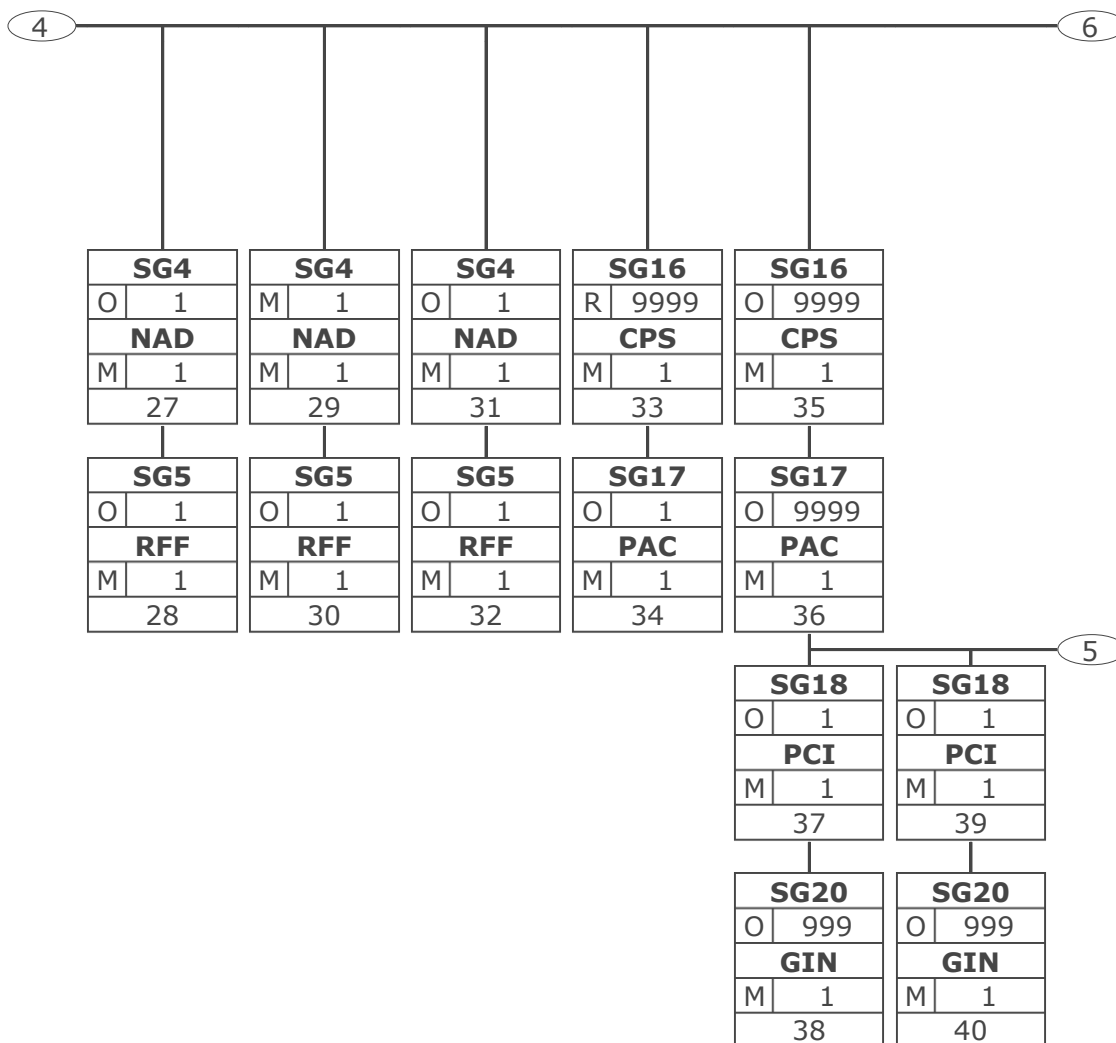
Tag	Tag = Segment/Group Tag
St MaxOcc	St = Status (M=Mandatory, C=Conditional, R=Required, O=Optional, A=Advised, D=Dependent)
No	MaxOcc = Maximum occurrence of the segment/group; No = Consecutive segment number

Branching Diagram



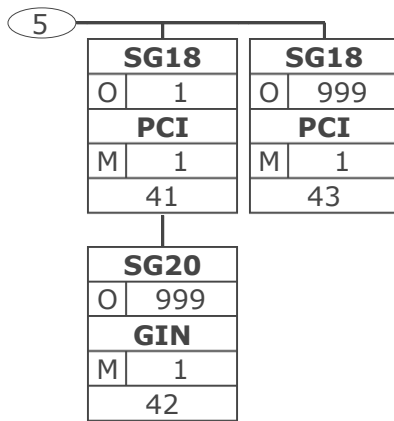
Tag	Tag = Segment/Group Tag
St	MaxOcc St = Status (M=Mandatory, C=Conditional, R=Required, O=Optional, A=Advised, D=Dependent)
No	MaxOcc = Maximum occurrence of the segment/group; No = Consecutive segment number

Branching Diagram



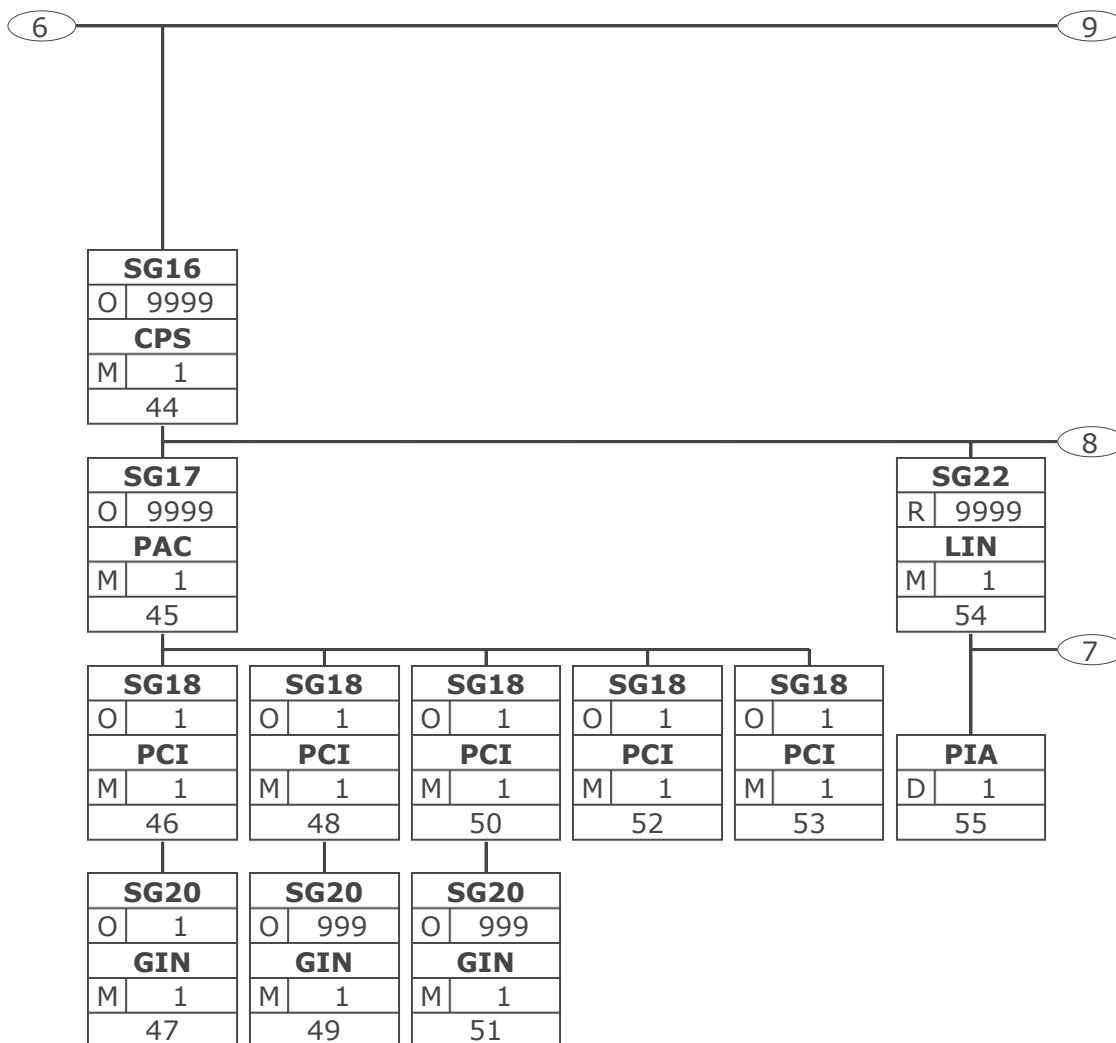
Tag	Tag = Segment/Group Tag
St MaxOcc	St = Status (M=Mandatory, C=Conditional, R=Required, O=Optional, A=Advised, D=Dependent)
No	MaxOcc = Maximum occurrence of the segment/group; No = Consecutive segment number

Branching Diagram



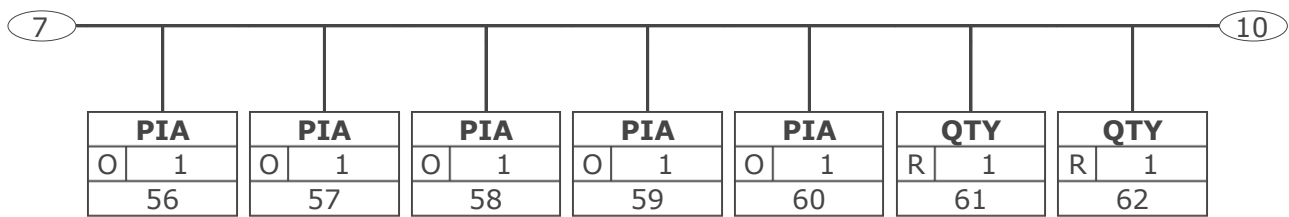
Tag	Tag = Segment/Group Tag
St	MaxOcc St = Status (M=Mandatory, C=Conditional, R=Required, O=Optional, A=Advised, D=Dependent)
No	MaxOcc = Maximum occurrence of the segment/group; No = Consecutive segment number

Branching Diagram



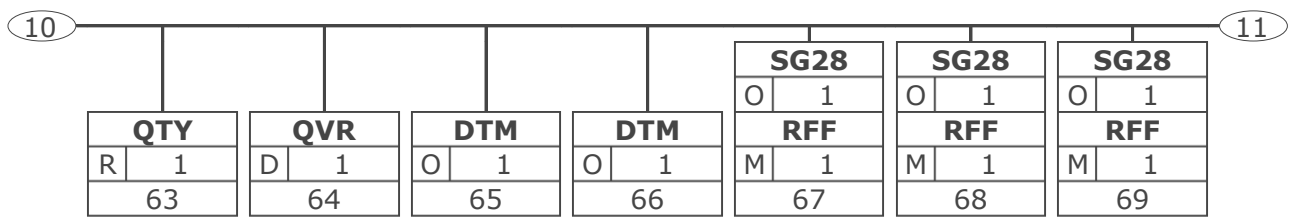
Tag	Tag = Segment/Group Tag
St MaxOcc	St = Status (M=Mandatory, C=Conditional, R=Required, O=Optional, A=Advised, D=Dependent)
No	MaxOcc = Maximum occurrence of the segment/group; No = Consecutive segment number

Branching Diagram



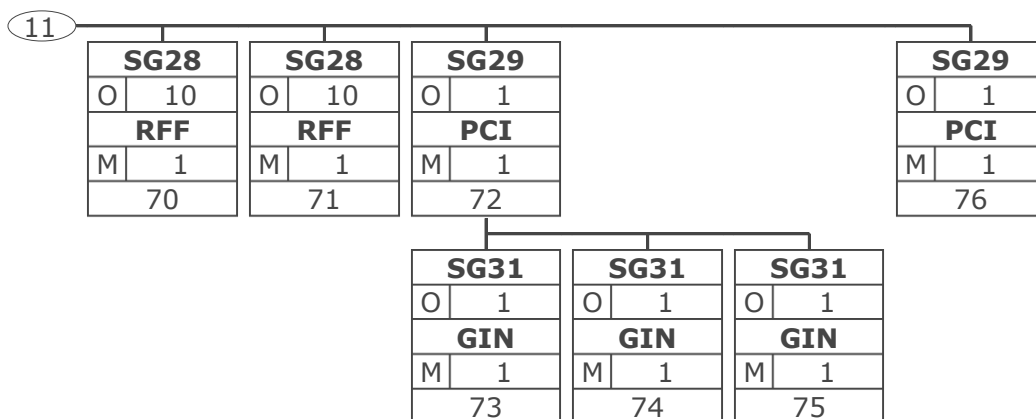
Tag	Tag = Segment/Group Tag
St MaxOcc	St = Status (M=Mandatory, C=Conditional, R=Required, O=Optional, A=Advised, D=Dependent)
No	MaxOcc = Maximum occurrence of the segment/group; No = Consecutive segment number

Branching Diagram



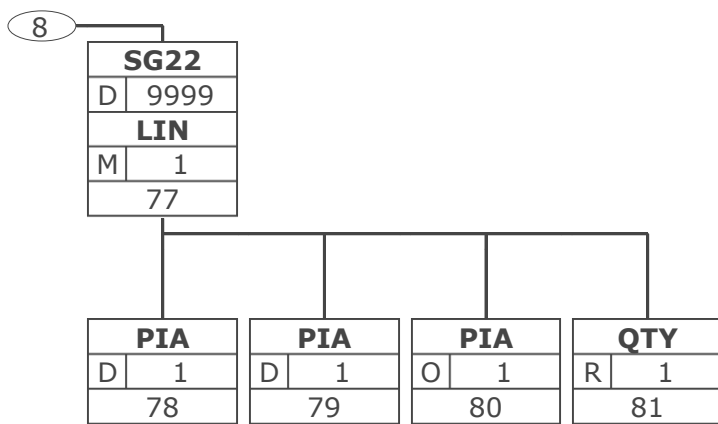
Tag	Tag = Segment/Group Tag
St MaxOcc	St = Status (M=Mandatory, C=Conditional, R=Required, O=Optional, A=Advised, D=Dependent)
No	MaxOcc = Maximum occurrence of the segment/group; No = Consecutive segment number

Branching Diagram



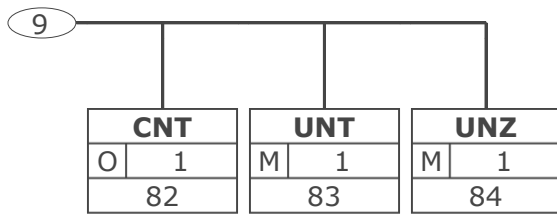
Tag	Tag = Segment/Group Tag
St MaxOcc	St = Status (M=Mandatory, C=Conditional, R=Required, O=Optional, A=Advised, D=Dependent)
No	MaxOcc = Maximum occurrence of the segment/group; No = Consecutive segment number

Branching Diagram



Tag	Tag = Segment/Group Tag
St MaxOcc	St = Status (M=Mandatory, C=Conditional, R=Required, O=Optional, A=Advised, D=Dependent)
No	MaxOcc = Maximum occurrence of the segment/group; No = Consecutive segment number

Branching Diagram



Tag	Tag = Segment/Group Tag
St MaxOcc	St = Status (M=Mandatory, C=Conditional, R=Required, O=Optional, A=Advised, D=Dependent)
No	MaxOcc = Maximum occurrence of the segment/group; No = Consecutive segment number

Message Structure

Seg.	No.	Status	Max Occ	Segment
UNA	1	R	1	Used character set
UNB	2	M	1	Beginning of transmission file
Heading section				
UNH	3	M	1	Beginn of message
BGM	4	M	1	Document Number
DTM	5	M	1	Creation date
DTM	6	M	1	Goods receipt date
DTM	7	O	1	Goods receipt period
DTM	8	O	1	Time stamp arrival
DTM	9	O	1	Time stamp call for loading / unloading
DTM	10	O	1	Time stamp start of loading / unloading
DTM	11	O	1	Time stamp end of loading / unloading
DTM	12	O	1	Time stamp release to exit
SG1		O	1	RFF-DTM
RFF	13	M	1	Despatch advice
SG1		D	1	RFF-DTM
RFF	14	M	1	Buyers order number
SG1		R	1	RFF-DTM
RFF	15	M	1	Delivery note
SG4		M	1	NAD-SG5-SG6
NAD	16	M	1	Delivery party identification
SG5		O	1	RFF
RFF	17	M	1	Delivery party additional identification
SG5		O	1	RFF
RFF	18	M	1	Economic operator identifier (EO-ID)
SG5		O	1	RFF
RFF	19	M	1	Facility identifier (F-ID)
SG4		O	1	NAD-SG5-SG6
NAD	20	M	1	Ultimate consignee identification
SG5		O	1	RFF
RFF	21	M	1	Ultimate consignee additional identification
SG4		M	1	NAD-SG5-SG6
NAD	22	M	1	Identification of buyer/invoicee
SG5		D	1	RFF
RFF	23	M	1	Statements on business letters
SG5		O	1	RFF
RFF	24	M	1	Buyers additional identification
SG5		O	1	RFF
RFF	25	M	1	Economic operator identifier (EO-ID)
SG6		O	10	CTA-COM
CTA	26	M	1	Contact person
SG4		O	1	NAD-SG5-SG6
NAD	27	M	1	Identification of invoicee
SG5		O	1	RFF
RFF	28	M	1	Invoicees additional identification
SG4		M	1	NAD-SG5-SG6

Max. Occ. = Maximum occurrence of the segment/group, Status: M=Mandatory, C=Conditional, R=Required, O=Optional, A=Advised, D=Dependent

Message Structure

Seg.	No.	Status	Max Occ	Segment
NAD	29	M	1	Supplier identification
SG5		O	1	RFF
RFF	30	M	1	Suppliers additional identification
SG4		O	1	NAD-SG5-SG6
NAD	31	M	1	Freight forwarder
SG5		O	1	RFF
RFF	32	M	1	Freight forwarders additional identification
Detail section consignment				
SG16		R	9999	CPS-SG17-SG22
CPS	33	M	1	Sequence number of packages within the consignment
SG17		O	1	PAC-QVR-SG18
PAC	34	M	1	Number of packages within the consignment
Detail section despatch units				
SG16		O	9999	CPS-SG17-SG22
CPS	35	M	1	Hierarchy level
SG17		O	9999	PAC-QVR-SG18
PAC	36	M	1	Number of packages
SG18		O	1	PCI-SG20
PCI	37	M	1	Marking with SSCC
SG20		O	999	GIN
GIN	38	M	1	Serial Shipping Container Code (SSCC)
SG18		O	1	PCI-SG20
PCI	39	M	1	Marking with GRAI
SG20		O	999	GIN
GIN	40	M	1	GRAI of despatch unit/s
SG18		O	1	PCI-SG20
PCI	41	M	1	Marking with GIAI (despatch unit/s)
SG20		O	999	GIN
GIN	42	M	1	GIAI of despatch unit/s
SG18		O	999	PCI-SG20
PCI	43	M	1	Marking with number of a package
Detail section despatch units / articles				
SG16		O	9999	CPS-SG17-SG22
CPS	44	M	1	Hierarchy level
SG17		O	9999	PAC-QVR-SG18
PAC	45	M	1	Number of packages
SG18		O	1	PCI-SG20
PCI	46	M	1	Marking with SSCC
SG20		O	1	GIN
GIN	47	M	1	Serial Shipping Container Code (SSCC)
SG18		O	1	PCI-SG20
PCI	48	M	1	Marking with GRAI
SG20		O	999	GIN
GIN	49	M	1	GRAI of despatch unit/s /articles
SG18		O	1	PCI-SG20

Max. Occ. = Maximum occurrence of the segment/group, Status: M=Mandatory, C=Conditional, R=Required, O=Optional, A=Advised, D=Dependent

Message Structure

Seg.	No.	Status	Max Occ	Segment
PCI	50	M	1	Marking with GIAI (despatch unit/s / articles)
└─SG20		O	999	GIN
└─GIN	51	M	1	GIAI of despatch unit/s /articles
└─SG18		O	1	PCI-SG20
└─PCI	52	M	1	Marking with number of a package
└─SG18		O	1	PCI-SG20
└─PCI	53	M	1	Label information
└─SG22		R	9999	LIN-PIA-IMD-QTY-QVR-DTM-FTX-SG28-SG29
└─LIN	54	M	1	GTIN Article identification
└─PIA	55	D	1	Product identification without GTIN
└─PIA	56	O	1	Suppliers article number (secondary indent.)
└─PIA	57	O	1	Buyers article number
└─PIA	58	O	1	Articles promotional variant
└─PIA	59	O	1	Batch number
└─PIA	60	O	1	Serial number
└─QTY	61	R	1	Delivered quantity
└─QTY	62	R	1	Despatched quantity / Advised quantity
└─QTY	63	R	1	Quantity accepted
└─QVR	64	D	1	Quantity variance
└─DTM	65	O	1	Best before date
└─DTM	66	O	1	Expiry date
└─SG28		O	1	RFF-DTM
└─RFF	67	M	1	Ultimate customers order number
└─SG28		O	1	RFF-DTM
└─RFF	68	M	1	Buyers order number
└─SG28		O	1	RFF-DTM
└─RFF	69	M	1	Company registration number (German ElektroG)
└─SG28		O	10	RFF-DTM
└─RFF	70	M	1	Aggregated level unique identifier (aUI)
└─SG28		O	10	RFF-DTM
└─RFF	71	M	1	Unit packet level unique identifier (upUI)
└─SG29		O	1	PCI-QTY-QVR-SG31
└─PCI	72	M	1	Marking on package
└─SG31		O	1	GIN
└─GIN	73	M	1	Batch number
└─SG31		O	1	GIN
└─GIN	74	M	1	GTIN
└─SG31		O	1	GIN
└─GIN	75	M	1	GTIN
└─SG29		O	1	PCI-QTY-QVR-SG31
└─PCI	76	M	1	Label information (Article)
2.Detail section - units included in assortment				
└─SG22		D	9999	LIN-PIA-IMD-QTY-QVR-DTM-FTX-SG28-SG29

Max. Occ. = Maximum occurrence of the segment/group, Status: M=Mandatory, C=Conditional, R=Required, O=Optional, A=Advised, D=Dependent

Message Structure

Seg.	No.	Status	Max Occ	Segment
LIN	77	M	1	GTIN Article identifikation
PIA	78	D	1	Product identification without GTIN
PIA	79	D	1	Additional possibilities for product identification
PIA	80	O	1	Additional possibilities for product identification
QTY	81	R	1	Quantity content display(s)
Summary section				
CNT	82	O	1	Control information
UNT	83	M	1	End of message
UNZ	84	M	1	End of the transmission file

Max. Occ. = Maximum occurrence of the segment/group, Status: M=Mandatory, C=Conditional, R=Required, O=Optional, A=Advised, D=Dependent

Segment Layout

No. Seg	St	Max. Occ.			
1	UNA	R 1	Service string advice		
To define the characters selected for use as delimiters and indicators in the rest of the interchange that follows.					
Business Term	DE	EDIFACT	Format	St	* Description
Component data element separator	UNA1	Component data element separator	an1	M	Default value: ":"
Data element separator	UNA2	Data element separator	an1	M	Default value: "+"
Decimal notation	UNA3	Decimal notation	an1	M	Default value: "."
Release character	UNA4	Release indicator	an1	M	Default value: "?"
Reserved for future use	UNA5	Reserved for future use	an1	M	(Default value: space)
Segment terminator	UNA6	Segment terminator	an1	M	Default value: "' "
The use of the UNA segment is mandatory, if character set "A" (UNB,DE0001) is not used.					
For international EDI the use of character set UNOA is recommended. For national (German) EDI the use of UNOC is reasonable because it contains lower case letters and umlauts.					
Example: UNA:+.?' '					
The UNA segment contains the default service string characters.					

Max. Occ. = Maximum Occurrence, St = Status, * = Restricted Codes
 Status: M=Mandatory, R=Required, O=Optional, D=Dependent, A=Advised, N=Not used

Segment Layout

No. Seg	St	Max. Occ.				
2	UNB	M 1	Interchange header To start, identify and specify an interchange.			
Business Term	DE	EDIFACT	Format	St	*	Description
	S001	Syntax identifier		M		
Character set	0001	Syntax identifier	a4	M	*	UNOA UN/ECE level A UNOB UN/ECE level B UNOC UN/ECE level C UNOD UN/ECE level D UNOE UN/ECE level E UNOF UN/ECE level F
Syntax version	0002	Syntax version number	n1	M	*	3 Version 3
	S002	Interchange sender		M		
Indentification of the sender of the transmission file	0004	Sender identification	an..35	M		= Global Location Number (GLN)
	0007	Partner identification code qualifier	an..4	R	*	14 GS1
Address for reverse routing	0008	Address for reverse routing	an..14	O		See note
	S003	Interchange recipient		M		
Indentification of the receiver of the transmission file	0010	Recipient identification	an..35	M		= Global Location Number (GLN)
	0007	Partner identification code qualifier	an..4	R	*	14 GS1
Routing address	0014	Routing address	an..14	O		See note
	S004	Date/time of preparation		M		
File creation date	0017	Date of preparation	n6	M		= Dateformat JJMMTT
File creation time	0019	Time of preparation	n4	M		= Timeformat HHMM
Interchange control reference, beginnig	0020	Interchange control reference	an..14	M		= Unique senders reference
	S005	Recipient's reference, password		O		
Password interchange	0022	Recipient's reference/ password	an..14	M		
	0025	Recipient's reference/ password qualifier	an2	O	*	AA Reference BB Password
Application reference	0026	Application reference	an..14	O		Message type if the transmission fole contains only one message type
	0029	Processing priority code	a1	O	*	A Highest priority
Acknowledgement request	0031	Acknowledgement request	n1	O		
EANCOM	0032	Communications agreement ID	an..35	R		= EANCOM... EDIFACT subset identification (see note)
Test indicator	0035	Test indicator	n1	O	*	1 Interchange is a

Max. Occ. = Maximum Occurrence, St = Status, * = Restricted Codes

Status: M=Mandatory, R=Required, O=Optional, D=Dependent, A=Advised, N=Not used

Segment Layout

Business Term	DE	EDIFACT	Format	St	*	Description
						test
<p>This segment is used to envelope the interchange, as well as to identify both, the party to whom the interchange is sent and the party who has sent the interchange.</p> <p>For international EDI the use of character set UNOA is recommended. For national (German) EDI the use of UNOC is reasonable because it contains lower case letters and umlauts.</p> <p>Note DE 0008: The address for reverse routing is provided by the interchange sender to inform the interchange recipient of the address within the sender's (source) system to which responding interchanges must be sent. It is recommended that the GLN be used for this purpose.</p> <p>Note DE 0014: The routing address is used to identify the receiver, if a provider adds service values for the actual receiver (e.g. consolidated companies, corporate group). The use of the identification system (e.g. GLN) has to be agreed bilaterally.</p> <p>Note DE 0020: This data element must contain a consistent sequential number per interchange between sender and receiver of the transmission.</p> <p>Note DE 0032: This data element is used to identify any underlying agreements which control the exchange of data. Within EANCOM , the identity of such agreements must start with the letters 'EANCOM', the remaining characters within the data element being filled according to bilateral agreements.</p> <p>Example: UNB+UNOC:3+4012345000009:14:4012345000018+4000004000002:14:4000004000099+201212:1043+4711+REF:AA+++EANCOM+1' The EANCOM file 4711 dated 12.12.2020, 10 h 43 is sent by the issuer identified with GLN 4012345000009 to the receiver identified with GLN 4000004000002.</p>						

Max. Occ. = Maximum Occurrence, St = Status, * = Restricted Codes
Status: M=Mandatory, R=Required, O=Optional, D=Dependent, A=Advised, N=Not used

Segment Layout

Heading section

Heading section

No. Seg	St	Max. Occ.				
3	UNH	M 1	Message header			
To head, identify and specify a message.						
Business Term	DE	EDIFACT	Format	St	*	Description
Message reference number Beginn of message	0062	Message reference number	an..14	M		Sender's unique message reference. Sequence number of messages in the interchange. DE 0062 in UNT will have the same value. Generated by the sender.
	S009	Message identifier		M		
	0065	Message type	an..6	M	*	RECADV Receiving advice message
	0052	Message version number	an..3	M	*	D Draft version/ UN/EDIFACT Directory
	0054	Message release number	an..3	M	*	01B Release 2001 - B
	0051	Controlling agency	an..2	M	*	UN UN/CEFACT
	0057	Association assigned code	an..6	R	*	EAN009 GS1 version control number (GS1 Permanent Code)

Segmentstatus: Mandatory

This segment is used to head, identify and specify a message.

If the RECADV has no differences to the DESADV it is sufficient to send only header- and summary section of the message.

Example: UNH+ME000001+RECADV:D:01B:UN:EAN009'

The reference number of the RECADV message is ME000001.

Max. Occ. = Maximum Occurrence, St = Status, * = Restricted Codes
Status: M=Mandatory, R=Required, O=Optional, D=Dependent, A=Advised, N=Not used

Segment Layout

Heading section

No. Seg	St	Max. Occ.				
4	BGM	M 1	Beginning of message To indicate the type and function of a message and to transmit the identifying number.			
Business Term	DE	EDIFACT	Format	St	*	Description
	C002	Document/message name		R		
	1001	Document name code	an..3	R	*	632 Goods receipt
	1131	Code list identification code	an..17	N		
	3055	Code list responsible agency code	an..3	N		
	1000	Document name	an..35	O		
	C106	Document/message identification		R		
Document Number	1004	Document identifier	an..35	R		Document number assigned by sender
	1225	Message function code	an..3	R	*	9 Original
Segmentstatus: Mandatory						
This segment is used to indicate the type and function of a message and to transmit the identifying number.						
Example: BGM+632+87441+9' The document number is 87441.						

Max. Occ. = Maximum Occurrence, St = Status, * = Restricted Codes
Status: M=Mandatory, R=Required, O=Optional, D=Dependent, A=Advised, N=Not used

Segment Layout

Heading section

No. Seg	St	Max. Occ.				
5	DTM	M 1	Date/time/period To specify date, and/or time, or period.			
Business Term	DE	EDIFACT	Format	St	*	Description
	C507	Date/time/period		M		
	2005	Date or time or period function code qualifier	an..3	M	*	137 Document/ message date/ time
Creation date	2380	Date or time or period value	an..35	R		
	2379	Date or time or period format code	an..3	R		102 CCYYMMDD 203 CCYYMMDDHHMM
Segmentstatus: Mandatory						
Identification of the 'Document/message date/time' (code value 137) is mandatory in the message.						
Example: DTM+137:20201212:102' The message was created on 12.12.2020.						

Max. Occ. = Maximum Occurrence, St = Status, * = Restricted Codes
 Status: M=Mandatory, R=Required, O=Optional, D=Dependent, A=Advised, N=Not used

Segment Layout

Heading section

No. Seg	St	Max. Occ.				
6	DTM	M 1	Date/time/period To specify date, and/or time, or period.			
Business Term	DE	EDIFACT	Format	St	*	Description
	C507	Date/time/period		M		
	2005	Date or time or period function code qualifier	an..3	M	*	50 Goods receipt date/time
Goods receipt date	2380	Date or time or period value	an..35	R		
	2379	Date or time or period format code	an..3	R		102 CCYYMMDD 203 CCYYMMDDHHMM
Segmentstatus: Mandatory Date/time upon which the goods were received by a given party. Example: DTM+50:20201212:102' The goods receipt took place on 12.12.2020.						

Max. Occ. = Maximum Occurrence, St = Status, * = Restricted Codes
 Status: M=Mandatory, R=Required, O=Optional, D=Dependent, A=Advised, N=Not used

Segment Layout

Heading section

No. Seg	St	Max. Occ.				
7	DTM	O 1	Date/time/period To specify date, and/or time, or period.			
Business Term	DE	EDIFACT	Format	St	*	Description
	C507	Date/time/period		M		
	2005	Date or time or period function code qualifier	an..3	M	*	50 Goods receipt date/time
Goods receipt period	2380	Date or time or period value	an..35	R		
	2379	Date or time or period format code	an..3	R		713 YYMMDDHHMM- YYMMDDHHMM Format of period to be given in actual message without hyphen.
Segmentstatus: Optional						
DTM segment is used to specify date, and/or time, or period.						
Example: DTM+50:20121110002012121100:713'						
The goods receipt period was 11.12.2020 to 12.12.2020.						

Max. Occ. = Maximum Occurrence, St = Status, * = Restricted Codes
 Status: M=Mandatory, R=Required, O=Optional, D=Dependent, A=Advised, N=Not used

Segment Layout

No. Seg	St	Max. Occ.				
8	DTM	O 1	Date/time/period To specify date, and/or time, or period.			
Business Term	DE	EDIFACT	Format	St	*	Description
	C507	Date/time/period		M		
	2005	Date or time or period function code qualifier	an..3	M	*	178 Arrival date/time, actual
Time stamp S1: Arrival	2380	Date or time or period value	an..35	R		
	2379	Date or time or period format code	an..3	R		102 CCYYMMDD 203 CCYYMMDDHHMM
<p>Segmentstatus: Optional</p> <p>This segment is used to transmit time stamp information.</p> <p>Note: Time of presentation - Registration at the gatekeeper (or at the goods receipt / goods issue) has been carried out and the means of transport indicates unloading / loading.</p> <p>Example: DTM+178:20170823:102' Time stamp arrival is 23.08.2017.</p>						

Max. Occ. = Maximum Occurrence, St = Status, * = Restricted Codes
 Status: M=Mandatory, R=Required, O=Optional, D=Dependent, A=Advised, N=Not used

Segment Layout

No. Seg	St	Max. Occ.				
9	DTM	O 1	Date/time/period To specify date, and/or time, or period.			
Business Term	DE	EDIFACT	Format	St	*	Description
	C507	Date/time/period		M		
	2005	Date or time or period function code qualifier	an..3	M	*	176 Advise completed date/time
Time stamp S2: Call for loading / unloading	2380	Date or time or period value	an..35	R		
	2379	Date or time or period format code	an..3	R		102 CCYYMMDD 203 CCYYMMDDHHMM
Segmentstatus: Optional						
This segment is used to transmit time stamp information.						
Note: To start time of the call with the means of transport to an assigned loading / unloading point.						
Example: DTM+176:20210823:102' Time stamp call for loading / unloading is 23.08.2021.						

Max. Occ. = Maximum Occurrence, St = Status, * = Restricted Codes
 Status: M=Mandatory, R=Required, O=Optional, D=Dependent, A=Advised, N=Not used

Segment Layout

No. Seg	St	Max. Occ.				
10	DTM	O 1	Date/time/period To specify date, and/or time, or period.			
Business Term	DE	EDIFACT	Format	St	*	Description
	C507	Date/time/period		M		
	2005	Date or time or period function code qualifier	an..3	M	*	772 Handling start date and/or time, actual
Time stamp S3: Start of loading / unloading	2380	Date or time or period value	an..35	R		
	2379	Date or time or period format code	an..3	R		102 CCYYMMDD 203 CCYYMMDDHHMM
<p>Segmentstatus: Optional</p> <p>This segment is used to transmit time stamp information.</p> <p>Note: Time of commencement of physical loading / unloading of the means of transport (movement of the first cargo).</p> <p>Example: DTM+772:20210823:102' Time stamp start of loading / unloading is 23.08.2021.</p>						

Max. Occ. = Maximum Occurrence, St = Status, * = Restricted Codes
Status: M=Mandatory, R=Required, O=Optional, D=Dependent, A=Advised, N=Not used

Segment Layout

No. Seg	St	Max. Occ.				
11	DTM	O 1	Date/time/period To specify date, and/or time, or period.			
Business Term	DE	EDIFACT	Format	St	*	Description
	C507	Date/time/period		M		
	2005	Date or time or period function code qualifier	an..3	M	*	774 Handling end date and/or time, actual
Time stamp S4: End of loading / unloading	2380	Date or time or period value	an..35	R		
	2379	Date or time or period format code	an..3	R		102 CCYYMMDD 203 CCYYMMDDHHMM
<p>Segmentstatus: Optional</p> <p>This segment is used to transmit time stamp information.</p> <p>Note: Time of completion of physical loading / unloading of the means of transport (movement of the first cargo).</p> <p>Example: DTM+774:20210823:102' Time stamp end of loading / unloading is 23.08.2021.</p>						

Max. Occ. = Maximum Occurrence, St = Status, * = Restricted Codes
Status: M=Mandatory, R=Required, O=Optional, D=Dependent, A=Advised, N=Not used

Segment Layout

No. Seg	St	Max. Occ.				
12	DTM	O 1	Date/time/period To specify date, and/or time, or period.			
Business Term	DE	EDIFACT	Format	St	*	Description
	C507	Date/time/period		M		
	2005	Date or time or period function code qualifier	an..3	M	*	261 Release date/time
Time stamp S5: Release to exit	2380	Date or time or period value	an..35	R		
	2379	Date or time or period format code	an..3	R		102 CCYYMMDD 203 CCYYMMDDHHMM
<p>Segmentstatus: Optional</p> <p>This segment is used to transmit time stamp information.</p> <p>Note: Time of release to exit from the factory or warehouse area (all preparatory activities have been completed and the delivery documents are completely returned by the recipient).</p> <p>Example: DTM+261:20210823:102' Time stamp release to exit is 23.08.2021.</p>						

Max. Occ. = Maximum Occurrence, St = Status, * = Restricted Codes
 Status: M=Mandatory, R=Required, O=Optional, D=Dependent, A=Advised, N=Not used

Segment Layout

Heading section

No.	Seg	St	Max.	Occ.			
13	SG1	O	1		RFF-DTM		
	RFF	M	1		Reference To specify a reference.		
Business Term		DE	EDIFACT	Format	St	*	Description
		C506	Reference		M		
		1153	Reference code qualifier	an..3	M	*	AAK Despatch advice number
Despatch advice		1154	Reference identifier	an..70	R		
<p>Segmentstatus: Optional</p> <p>This segment is used to reference the despatch advice number (DESADV).</p> <p>Example: RFF+AAK:4710' The message references to despatch advice number 4710.</p>							

Max. Occ. = Maximum Occurrence, St = Status, * = Restricted Codes
 Status: M=Mandatory, R=Required, O=Optional, D=Dependent, A=Advised, N=Not used

Segment Layout

Heading section

No.	Seg	St	Max.	Occ.			
14	SG1	D	1		RFF-DTM		
	RFF	M	1		Reference		
To specify a reference.							
Business Term		DE	EDIFACT	Format	St	*	Description
		C506	Reference		M		
		1153	Reference code qualifier	an..3	M	*	ON Order number (buyer)
Buyers order number		1154	Reference identifier	an..70	R		
Segmentstatus: Mandatory, if no information available at detail section.							
This segment can contain a reference to buyers order number.							
Example: RFF+ON:4711'							
The message references to buyers order number 4711.							

Max. Occ. = Maximum Occurrence, St = Status, * = Restricted Codes
 Status: M=Mandatory, R=Required, O=Optional, D=Dependent, A=Advised, N=Not used

Segment Layout

Heading section

No.	Seg	St	Max.	Occ.		
15	SG1	R	1		RFF-DTM	
	RFF	M	1		Reference	
To specify a reference.						
Business Term	DE	EDIFACT	Format	St	*	Description
	C506	Reference		M		
	1153	Reference code qualifier	an..3	M	*	DQ Delivery note number
Delivery note	1154	Reference identifier	an..70	R		
Segmentstatus: Mandatory						
This segment must be used to reference the delivery note number.						
Example: RFF+DQ:4714'						
The message references to delivery note number 4714.						

Max. Occ. = Maximum Occurrence, St = Status, * = Restricted Codes
 Status: M=Mandatory, R=Required, O=Optional, D=Dependent, A=Advised, N=Not used

Segment Layout

Heading section

No. Seg	St	Max. Occ.				
16	SG4	M 1	NAD-SG5-SG6			
	NAD	M 1	Name and address			
To specify the name/address and their related function, either by C082 only and/or unstructured by C058 or structured by C080 thru 3207.						
Business Term	DE	EDIFACT	Format	St	*	Description
	3035	Party function code qualifier	an..3	M	*	DP Delivery party
	C082	Party identification details		A		
Delivery party identification	3039	Party identifier	an..35	M		Global Location Number (GLN) - Format n13
	1131	Code list identification code	an..17	N		
	3055	Code list responsible agency code	an..3	R	*	9 GS1
	C058	Name and address		N		
	3124	Name and address description	an..35			
	C080	Party name		D		
Name 1 of the receiver	3036	Party name	an..35	M		
Name 2 of the receiver	3036	Party name	an..35	D		
Name 3 of the receiver	3036	Party name	an..35	D		
	C059	Street		D		
Street and number of receiver	3042	Street and number or post office box identifier	an..35	M		
Place of receiver - name of a city (town, village) for adresssing purposes.	3164	City name	an..35	D		
	C819	Country sub-entity details		D		
	3229	Country sub-entity name code	an..9	O		Identification of the name of sub-entities (state, province) defined by appropriate governmental agencies
Postcode of receiver	3251	Postal identification code	an..17	D		
Country of receiver, coded	3207	Country name code	an..3	D		
Segmentstatus: Mandatory						
This NAD segment always identifies the first delivery place.						
The delivery party is identified by GLN. Party name and adress in clear text may only be used, if a GLN is not (yet) available.						
If the delivery party is not known (e.g. pick up by third party), the GLN of the buyer is indicated in DE 3039.						

Max. Occ. = Maximum Occurrence, St = Status, * = Restricted Codes

Status: M=Mandatory, R=Required, O=Optional, D=Dependent, A=Advised, N=Not used

Segment Layout

Heading section

Example: NAD+DP+4089876511111::9++Warenempfänger-Name 1:Warenempfänger-Name 2:Warenempfänger-Name 3+Maarweg 104+Köln++50825+DE'
The delivery party is identified by GLN 4089876511111.

Max. Occ. = Maximum Occurrence, St = Status, * = Restricted Codes
Status: M=Mandatory, R=Required, O=Optional, D=Dependent, A=Advised, N=Not used

Segment Layout

Heading section

No. Seg	St	Max. Occ.	
SG4	M	1	NAD-SG5-SG6
SG5	O	1	RFF
17 RFF	M	1	Reference

To specify a reference.

Business Term	DE	EDIFACT	Format	St	*	Description
	C506	Reference		M		
	1153	Reference code qualifier	an..3	M	*	YC1 Additional party identification (GS1 Temporary Code)
Delivery party additional identification	1154	Reference identifier	an..70	R		

Segmentstatus: Optional

The RFF segment following the NAD segment can specify an agreed additional identification.

If no functional or organisational differences are necessary within one company only the GLN is used for communication purposes, if applicable the receiver links within the inhouse system. Additional identifications should be agreed only in those cases when different functional entities need to be distinguished at one location.

Example: RFF+YC1:0816'

The additional identification is 0816.

Max. Occ. = Maximum Occurrence, St = Status, * = Restricted Codes
 Status: M=Mandatory, R=Required, O=Optional, D=Dependent, A=Advised, N=Not used

Segment Layout

Heading section

No. Seg	St	Max. Occ.	
SG4	M	1	NAD-SG5-SG6
SG5	O	1	RFF
18 RFF	M	1	Reference

To specify a reference.

Business Term	DE	EDIFACT	Format	St	*	Description
	C506	Reference		M		
	1153	Reference code qualifier	an..3	M	*	EID Economic operator identifier (EO-ID) see note
Economic operator identifier (EO-ID)	1154	Reference identifier	an..70	R		

Segmentstatus: Optional

The RFF segment following the NAD segment can specify the economic operator identifier (EO-ID) number, e.g. in tobacco traceability.

If no functional or organisational differences are necessary within one company only the GLN is used for communication purposes, if applicable the receiver links within the inhouse system. Additional identifications should be agreed only in those cases when different functional entities need to be distinguished at one location.

Note to DE 1153:

Code value EID: A corresponding work request was made within the framework of the GSMP. Later code adjustments can be made.

Example: **RFF+EID:0815'**

The Economic operator identifier (EO-ID) is 0815.

Segment Layout

Heading section

No. Seg	St	Max. Occ.				
SG4	M	1	NAD-SG5-SG6			
SG5	O	1	RFF			
19 RFF	M	1	Reference			
To specify a reference.						
Business Term	DE	EDIFACT	Format	St	*	Description
	C506	Reference		M		
	1153	Reference code qualifier	an..3	M	*	FID Facility identifier (F-ID) see note
Facility identifier (F-ID)	1154	Reference identifier	an..70	R		
Segmentstatus: Optional						
<p>The RFF segment following the NAD segment can specify the Facility identifier (F-ID) number, e.g. in tobacco traceability.</p> <p>If no functional or organisational differences are necessary within one company only the GLN is used for communication purposes, if applicable the receiver links within the inhouse system. Additional identifications should be agreed only in those cases when different functional entities need to be distinguished at one location.</p> <p>Note to DE 1153: Code value FID: A corresponding work request was made within the framework of the GSMP. Later code adjustments can be made.</p> <p>Example: RFF+FID:0815' The Facility identifier (F-ID) is 0815.</p>						

Max. Occ. = Maximum Occurrence, St = Status, * = Restricted Codes
Status: M=Mandatory, R=Required, O=Optional, D=Dependent, A=Advised, N=Not used

Segment Layout

Heading section

No. Seg	St	Max. Occ.				
20	SG4	O 1	NAD-SG5-SG6			
	NAD	M 1	Name and address			
To specify the name/address and their related function, either by C082 only and/or unstructured by C058 or structured by C080 thru 3207.						
Business Term	DE	EDIFACT	Format	St	*	Description
	3035	Party function code qualifier	an..3	M	*	UC Ultimate consignee
	C082	Party identification details		A		
Ultimate consignee identification	3039	Party identifier	an..35	M		Global Location Number (GLN) - Format n13
	1131	Code list identification code	an..17	N		
	3055	Code list responsible agency code	an..3	R	*	9 GS1
	C058	Name and address		N		
	3124	Name and address description	an..35			
	C080	Party name		D		
Name 1 of the ultimate consignee	3036	Party name	an..35	M		
Name 2 of the ultimate consignee	3036	Party name	an..35	D		
Name 3 of the ultimate consignee	3036	Party name	an..35	D		
	C059	Street		D		
Street of ultimate consignee	3042	Street and number or post office box identifier	an..35	M		
Place of ultimate consignee - name of a city (town, village) for addressing purposes.	3164	City name	an..35	D		
	C819	Country sub-entity details		D		
	3229	Country sub-entity name code	an..9	O		
Postcode of ultimate consignee	3251	Postal identification code	an..17	D		
	3207	Country name code	an..3	D		ISO 3166 two alpha code
Segmentstatus: Optional						
This NAD segment identifies the secondary delivery place.						
If the warehouse is the delivery party (DE 3035 = DP) and the consignment is addressed to a specific outlet, that outlet is identified as ultimate consignee.						

Max. Occ. = Maximum Occurrence, St = Status, * = Restricted Codes

Status: M=Mandatory, R=Required, O=Optional, D=Dependent, A=Advised, N=Not used

Segment Layout

Heading section

The ultimate consignee is identified by GLN. Party name and adress in clear text may only be used, if a GLN is not (yet) available.

Example: NAD+UC+4089876986411::9++Endempfänger-Name 1:Endempfänger-Name 2:Endempfänger-Name
3+Maarweg 104+Köln++50825+DE'

The ultimate consignee is identified by GLN 4089876986411.

Max. Occ. = Maximum Occurrence, St = Status, * = Restricted Codes
Status: M=Mandatory, R=Required, O=Optional, D=Dependent, A=Advised, N=Not used

Segment Layout

Heading section

No. Seg	St	Max. Occ.	
SG4	O	1	NAD-SG5-SG6
SG5	O	1	RFF
21 RFF	M	1	Reference

To specify a reference.

Business Term	DE	EDIFACT	Format	St	*	Description
	C506	Reference		M		
	1153	Reference code qualifier	an..3	M	*	YC1 Additional party identification (GS1 Temporary Code)
Ultimate consignee additional identification	1154	Reference identifier	an..70	R		

Segmentstatus: Optional

The RFF segment following the NAD segment can specify an agreed additional identification.

If no functional or organisational differences are necessary within one company only the GLN is used for communication purposes, if applicable the receiver links within the inhouse system. Additional identifications should be agreed only in those cases when different functional entities need to be distinguished at one location.

Example: RFF+YC1:0816'

The additional identification is 0816.

Max. Occ. = Maximum Occurrence, St = Status, * = Restricted Codes
 Status: M=Mandatory, R=Required, O=Optional, D=Dependent, A=Advised, N=Not used

Segment Layout

Heading section

No. Seg	St	Max. Occ.				
22	SG4	M 1	NAD-SG5-SG6			
	NAD	M 1	Name and address			
To specify the name/address and their related function, either by C082 only and/or unstructured by C058 or structured by C080 thru 3207.						
Business Term	DE	EDIFACT	Format	St	*	Description
	3035	Party function code qualifier	an..3	M	*	BY Buyer
	C082	Party identification details		A		
Identification of buyer/invoicee	3039	Party identifier	an..35	M		Global Location Number (GLN)- Format n13
	1131	Code list identification code	an..17	N		
	3055	Code list responsible agency code	an..3	R	*	9 GS1
	C058	Name and address		O		This composite may only be used to fulfill the requirements of directive 2003/58/EG, article 4. If applicable the message sender gets the possibility to give the relevant statements at this place. If C058 ist not sufficient, more declaration can be given in following RFF+GN... segments.
	3124	Name and address description	an..35	M		
	3124	Name and address description	an..35	O		
	3124	Name and address description	an..35	O		
	3124	Name and address description	an..35	O		
	3124	Name and address description	an..35	O		
Segmentstatus: Mandatory						
The buyer/invoicee is identified by GLN.						
Example: NAD+BY+4071615111110::9+123ABC:X:X:X:X'						
The buyer/invoicee is identified by GLN 4071615111110.						

Max. Occ. = Maximum Occurrence, St = Status, * = Restricted Codes
 Status: M=Mandatory, R=Required, O=Optional, D=Dependent, A=Advised, N=Not used

Segment Layout

Heading section

No. Seg	St	Max. Occ.				
SG4	M	1	NAD-SG5-SG6			
SG5	D	1	RFF			
23 RFF	M	1	Reference			
To specify a reference.						
Business Term	DE	EDIFACT	Format	St	*	Description
	C506	Reference		M		
	1153	Reference code qualifier	an..3	M	*	GN Government reference number
Statements on business letters	1154	Reference identifier	an..70	R		
Segmentstatus: Depending						
This RFF segment may only be used if the preceeding NAD has not enough space to fulfill the requirements of directive 2003/58/EG, article 4.						
Example: RFF+GN:HRB-471111'						
German statements on business letters: HRB-471111						

Max. Occ. = Maximum Occurrence, St = Status, * = Restricted Codes
 Status: M=Mandatory, R=Required, O=Optional, D=Dependent, A=Advised, N=Not used

Segment Layout

Heading section

No. Seg	St	Max. Occ.	
SG4	M	1	NAD-SG5-SG6
SG5	O	1	RFF
24 RFF	M	1	Reference

To specify a reference.

Business Term	DE	EDIFACT	Format	St	*	Description
	C506	Reference		M		
	1153	Reference code qualifier	an..3	M	*	YC1 Additional party identification (GS1 Temporary Code)
Buyers additional identification	1154	Reference identifier	an..70	R		

Segmentstatus: Optional

The RFF segment following the NAD segment can specify an agreed additional identification.

If no functional or organisational differences are necessary within one company only the GLN is used for communication purposes, if applicable the receiver links within the inhouse system. Additional identifications should be agreed only in those cases when different functional entities need to be distinguished at one location.

Example: RFF+YC1:0815'

The additional identification is 0815.

Max. Occ. = Maximum Occurrence, St = Status, * = Restricted Codes
 Status: M=Mandatory, R=Required, O=Optional, D=Dependent, A=Advised, N=Not used

Segment Layout

Heading section

No. Seg	St	Max. Occ.	
SG4	M	1	NAD-SG5-SG6
SG5	O	1	RFF
25 RFF	M	1	Reference

To specify a reference.

Business Term	DE	EDIFACT	Format	St	*	Description
	C506	Reference		M		
	1153	Reference code qualifier	an..3	M	*	EID Economic operator identifier (EO-ID) see note
Economic operator identifier (EO-ID)	1154	Reference identifier	an..70	R		

Segmentstatus: Optional

The RFF segment following the NAD segment can specify the economic operator identifier (EO-ID) number, e.g. in tobacco traceability.

If no functional or organisational differences are necessary within one company only the GLN is used for communication purposes, if applicable the receiver links within the inhouse system. Additional identifications should be agreed only in those cases when different functional entities need to be distinguished at one location.

Note to DE 1153:

Code value EID: A corresponding work request was made within the framework of the GSMP. Later code adjustments can be made.

Example: **RFF+EID:0815'**

The Economic operator identifier (EO-ID) is 0815.

Segment Layout

Heading section

No. Seg	St	Max. Occ.				
SG4	M	1	NAD-SG5-SG6			
SG6	O	10	CTA-COM			
26	CTA	M	1	Contact information		
To identify a person or a department to whom communication should be directed.						
Business Term	DE	EDIFACT	Format	St	*	Description
	3139	Contact function code	an..3	R		PD Purchasing contact
	C056	Department or employee details		O		
Purchasing contact department	3413	Department or employee name code	an..17	O		
Contact person	3412	Department or employee name	an..35	O		
Segmentstatus: Optional						
This segment is used to identify the department and/or person within the party specified in the NAD.						
Example: CTA+PD+AG-TI406:Herr Schmidt'						
Purchasing contact person is Mr. Schmidt						

Max. Occ. = Maximum Occurrence, St = Status, * = Restricted Codes
 Status: M=Mandatory, R=Required, O=Optional, D=Dependent, A=Advised, N=Not used

Segment Layout

Heading section

No. Seg	St	Max. Occ.				
27	SG4	O 1	NAD-SG5-SG6			
	NAD	M 1	Name and address			
To specify the name/address and their related function, either by C082 only and/or unstructured by C058 or structured by C080 thru 3207.						
Business Term	DE	EDIFACT	Format	St	*	Description
	3035	Party function code qualifier	an..3	M	*	IV Invoicee
	C082	Party identification details		A		
Identification of invoicee	3039	Party identifier	an..35	M		Global Location Number (GLN)- Format n13
	1131	Code list identification code	an..17	N		
	3055	Code list responsible agency code	an..3	R	*	9 GS1
Segmentstatus: Optional						
The invoicee is identified by GLN when not identical with buyer.						
Example: NAD+IV+4071615192710::9'						
Invoicee is identified by GLN 4071615192710.						

Max. Occ. = Maximum Occurrence, St = Status, * = Restricted Codes
 Status: M=Mandatory, R=Required, O=Optional, D=Dependent, A=Advised, N=Not used

Segment Layout

Heading section

No. Seg	St	Max. Occ.	
SG4	O	1	NAD-SG5-SG6
SG5	O	1	RFF
28 RFF	M	1	Reference

To specify a reference.

Business Term	DE	EDIFACT	Format	St	*	Description
	C506	Reference		M		
	1153	Reference code qualifier	an..3	M	*	YC1 Additional party identification (GS1 Temporary Code)
Invoictees additional identification	1154	Reference identifier	an..70	R		

Segmentstatus: Optional

The RFF segment following the NAD segment can specify an agreed additional identification.

If no functional or organisational differences are necessary within one company only the GLN is used for communication purposes, if applicable the receiver links within the inhouse system. Additional identifications should be agreed only in those cases when different functional entities need to be distinguished at one location.

Example: RFF+YC1:0815'

The additional identification is 0815.

Max. Occ. = Maximum Occurrence, St = Status, * = Restricted Codes
 Status: M=Mandatory, R=Required, O=Optional, D=Dependent, A=Advised, N=Not used

Segment Layout

Heading section

No. Seg	St	Max. Occ.				
29	SG4	M 1	NAD-SG5-SG6			
	NAD	M 1	Name and address			
To specify the name/address and their related function, either by C082 only and/or unstructured by C058 or structured by C080 thru 3207.						
Business Term	DE	EDIFACT	Format	St	*	Description
	3035	Party function code qualifier	an..3	M	*	SU Supplier
	C082	Party identification details		A		
Supplier identification	3039	Party identifier	an..35	M		Global Location Number (GLN) - Format n13
	1131	Code list identification code	an..17	N		
	3055	Code list responsible agency code	an..3	R	*	9 GS1
Segmentstatus: Mandatory						
The supplier is identified by GLN.						
Example: <code>NAD+SU+4389876511113::9'</code>						
The supplier is identified by GLN 4389876511113.						

Max. Occ. = Maximum Occurrence, St = Status, * = Restricted Codes
 Status: M=Mandatory, R=Required, O=Optional, D=Dependent, A=Advised, N=Not used

Segment Layout

Heading section

No. Seg	St	Max. Occ.	
SG4	M	1	NAD-SG5-SG6
SG5	O	1	RFF
30 RFF	M	1	Reference

To specify a reference.

Business Term	DE	EDIFACT	Format	St	*	Description
	C506	Reference		M		
	1153	Reference code qualifier	an..3	M	*	YC1 Additional party identification (GS1 Temporary Code)
Suppliers additional identification	1154	Reference identifier	an..70	R		

Segmentstatus: Optional

The RFF segment following the NAD segment can specify an agreed additional identification.

If no functional or organisational differences are necessary within one company only the GLN is used for communication purposes, if applicable the receiver links within the inhouse system. Additional identifications should be agreed only in those cases when different functional entities need to be distinguished at one location.

Example: RFF+YC1:0817'

The additional identification is 0817.

Max. Occ. = Maximum Occurrence, St = Status, * = Restricted Codes
 Status: M=Mandatory, R=Required, O=Optional, D=Dependent, A=Advised, N=Not used

Segment Layout

Heading section

No. Seg	St	Max. Occ.				
31	SG4	O 1	NAD-SG5-SG6			
	NAD	M 1	Name and address To specify the name/address and their related function, either by C082 only and/or unstructured by C058 or structured by C080 thru 3207.			
Business Term	DE	EDIFACT	Format	St	*	Description
	3035	Party function code qualifier	an..3	M	*	FW Freight forwarder
	C082	Party identification details		A		
Freight forwarder	3039	Party identifier	an..35	M		Global Location Number (GLN) - Format n13
	1131	Code list identification code	an..17	N		
	3055	Code list responsible agency code	an..3	R	*	9 GS1
Segmentstatus: Optional						
The freight forwarder is identified by GLN.						
Example: NAD+FW+4154321000005::9' The freight forwarder is identified by GLN 4154321000005.						

Max. Occ. = Maximum Occurrence, St = Status, * = Restricted Codes
Status: M=Mandatory, R=Required, O=Optional, D=Dependent, A=Advised, N=Not used

Segment Layout

Heading section

No. Seg	St	Max. Occ.	
SG4	O	1	NAD-SG5-SG6
SG5	O	1	RFF
32 RFF	M	1	Reference

To specify a reference.

Business Term	DE	EDIFACT	Format	St	*	Description
	C506	Reference		M		
	1153	Reference code qualifier	an..3	M	*	YC1 Additional party identification (GS1 Temporary Code)
Freight forwarders additional identification	1154	Reference identifier	an..70	R		

Segmentstatus: Optional

The RFF segment following the NAD segment can specify an agreed additional identification.

If no functional or organisational differences are necessary within one company only the GLN is used for communication purposes, if applicable the receiver links within the inhouse system. Additional identifications should be agreed only in those cases when different functional entities need to be distinguished at one location.

Example: RFF+YC1:0818'

The additional identification is 0818.

Max. Occ. = Maximum Occurrence, St = Status, * = Restricted Codes
 Status: M=Mandatory, R=Required, O=Optional, D=Dependent, A=Advised, N=Not used

Segment Layout

Detail section consignment

No. Seg	St	Max. Occ.				
33	SG16	R 9999	CPS-SG17-SG22			
	CPS	M 1	Consignment packing sequence			
To identify the sequence in which physical packing is presented in the consignment, and optionally to identify the hierarchical relationship between packing layers.						
Business Term	DE	EDIFACT	Format	St	*	Description
Sequence number of packages within the consignment	7164	Hierarchical structure level identifier	an..35	M		Sequential numbering recommended.
Segmentstatus: Mandatory						
The CPS segment starts the detail section of the message. The segments following the first occurrence of CPS (CPS+1) and previous to the following CPS (CPS+2+1) can provide physical dimensions for the entire consignment.						
This segment is used to identify the sequence in which packing of the consignment occurs, i.e. DE 7164 is increased by 1.						
Example: CPS+1 ' Sequential number 1.						

Max. Occ. = Maximum Occurrence, St = Status, * = Restricted Codes
 Status: M=Mandatory, R=Required, O=Optional, D=Dependent, A=Advised, N=Not used

Segment Layout

Detail section consignment

No.	Seg	St	Max. Occ.	
34	SG16	R	9999	CPS-SG17-SG22
	SG17	O	1	PAC-QVR-SG18
	PAC	M	1	Package

To describe the number and type of packages/physical units.

Business Term	DE	EDIFACT	Format	St	*	Description
Number of packages within the consignment	7224	Package quantity	n..8	D		
	C531	Packaging details		O		
	7075	Packaging level code	an..3	N		
	7233	Packaging related description code	an..3	O		
	7073	Packaging terms and conditions code	an..3	O		
	C202	Package type		O		
Type of packages	7065	Package type description code	an..17	A		201 Pallet ISO 1 - 1/1 EURO Pallet (GS1 Temporary Code) All codes of data element 7065 can be used.
	1131	Code list identification code	an..17	O		
	3055	Code list responsible agency code	an..3	D	*	9 GS1 This data element will only be used if DE 7065 contains a GS1 code.

Segmentstatus: Optional

This segment group can be used to identify the total number of packages and package types within the consignment.

Example: PAC+10++201::9'

10 Pallets ISO 1 - 1/1 EURO Pallet

Max. Occ. = Maximum Occurrence, St = Status, * = Restricted Codes
Status: M=Mandatory, R=Required, O=Optional, D=Dependent, A=Advised, N=Not used

Segment Layout

Detail section despatch units

No. Seg	St	Max. Occ.				
35	SG16	O 9999	CPS-SG17-SG22			
	CPS	M 1	Consignment packing sequence			
To identify the sequence in which physical packing is presented in the consignment, and optionally to identify the hierarchical relationship between packing layers.						
Business Term	DE	EDIFACT	Format	St	*	Description
Sequence of the packages (despatch units)	7164	Hierarchical structure level identifier	an..35	M		Sequential numbering is recommended
Hierarchy level	7166	Hierarchical structure parent identifier	an..35	A		
Segmentstatus: Optional						
This segment is used to indicate the sequence of despatch units within the consignment, i.e. DE 7164 is increased by 1.						
The detail section provides information about despatch units and associated SSCC.						
Example: CPS+2+1' Sequence number two.						

Max. Occ. = Maximum Occurrence, St = Status, * = Restricted Codes
 Status: M=Mandatory, R=Required, O=Optional, D=Dependent, A=Advised, N=Not used

Segment Layout

Detail section despatch units

No. Seg	St	Max. Occ.				
36	SG16	O 9999	CPS-SG17-SG22			
	SG17	O 9999	PAC-QVR-SG18			
	PAC	M 1	Package			
To describe the number and type of packages/physical units.						
Business Term	DE	EDIFACT	Format	St	*	Description
Number of packages (despatch units)	7224	Package quantity	n..8	O		
	C531	Packaging details		A		
	7075	Packaging level code	an..3	N		
	7233	Packaging related description code	an..3	O		50 Package barcoded EAN-13 or EAN-8 52 Package barcoded UCC or EAN-128 78 Package bar-coded and EPC tagged (Old code value: 55E) 79 Package EPC tagged only (Old code value: 56E)
	7073	Packaging terms and conditions code	an..3	O		
	C202	Package type		O		
	7065	Package type description code	an..17	A		201 Pallet ISO 1 - 1/1 EURO Pallet (GS1 Temporary Code) The use of any code value of this codes list is allowed.
	1131	Code list identification code	an..17	O		
	3055	Code list responsible agency code	an..3	D	*	9 GS1 Code value 9 is only used if DE 7065 contains a GS1 code.
<p>Segmentstatus: Optional</p> <p>This segment can be used to indicate the total number of packages of the consignment within the hierarchy level defined in the CPS segment. The content of each package is described in the following LIN segments.</p> <p>Example: PAC+1+:52+201::9'</p> <p>This consignment line contains 1 EURO pallet.</p>						

Max. Occ. = Maximum Occurrence, St = Status, * = Restricted Codes
Status: M=Mandatory, R=Required, O=Optional, D=Dependent, A=Advised, N=Not used

Segment Layout

Detail section despatch units

No. Seg	St	Max. Occ.				
SG16	O	9999	CPS-SG17-SG22			
SG17	O	9999	PAC-QVR-SG18			
SG18	O	1	PCI-SG20			
37 PCI	M	1	Package identification			
To specify markings and labels on individual packages or physical units.						
Business Term	DE	EDIFACT	Format	St	*	Description
Marking with SSCC (despatch units)	4233	Marking instructions code	an..3	R	*	39 Marked with Serial Shipping Container Code (SSCC) (Old code value: 33E)
Segmentstatus: Optional						
The PCI segment details markings with SSCC.						
Example: PCI+39' Package identification						

Max. Occ. = Maximum Occurrence, St = Status, * = Restricted Codes
 Status: M=Mandatory, R=Required, O=Optional, D=Dependent, A=Advised, N=Not used

Segment Layout

Detail section despatch units

No. Seg	St	Max. Occ.				
SG16	O	9999	CPS-SG17-SG22			
SG17	O	9999	PAC-QVR-SG18			
SG18	O	1	PCI-SG20			
SG20	O	999	GIN			
38 GIN	M	1	Goods identity number			
To give specific identification numbers, either as single numbers or ranges.						
Business Term	DE	EDIFACT	Format	St	*	Description
	7405	Object identification code qualifier	an..3	M	*	AW Serial shipping container code (Old code value: BJ)
	C208	Identity number range		M		
Serial Shipping Container Code (SSCC)	7402	Object identifier	an..35	M		
Segmentstatus: Optional						
This segment provides the SSCC to uniquely identify individual packages.						
Example: GIN+AW+340123450000000014'						
The SSCC is 340123450000000014						

Max. Occ. = Maximum Occurrence, St = Status, * = Restricted Codes
 Status: M=Mandatory, R=Required, O=Optional, D=Dependent, A=Advised, N=Not used

Segment Layout

Detail section despatch units

No. Seg	St	Max. Occ.				
SG16	O	9999	CPS-SG17-SG22			
SG17	O	9999	PAC-QVR-SG18			
SG18	O	1	PCI-SG20			
39 PCI	M	1	Package identification			
To specify markings and labels on individual packages or physical units.						
Business Term	DE	EDIFACT	Format	St	*	Description
Marking with GRAI (despatch units)	4233	Marking instructions code	an..3	R	*	47 Marked with GS1 Global Returnable Asset Identifier (GRAI) (Old code value: 41G)
Segmentstatus: Optional						
This segment is used to provide markings with GRAI.						
Example: PCI+47 ' Identification with GRAI						

Max. Occ. = Maximum Occurrence, St = Status, * = Restricted Codes
 Status: M=Mandatory, R=Required, O=Optional, D=Dependent, A=Advised, N=Not used

Segment Layout

Detail section despatch units

No.	Seg	St	Max. Occ.	
	SG16	O	9999	CPS-SG17-SG22
	SG17	O	9999	PAC-QVR-SG18
	SG18	O	1	PCI-SG20
	SG20	O	999	GIN
40	GIN	M	1	Goods identity number

To give specific identification numbers, either as single numbers or ranges.

Business Term	DE	EDIFACT	Format	St	*	Description
	7405	Object identification code qualifier	an..3	M		DA GS1 Global Returnable Asset Identifier, without serial number DB GS1 Global Returnable Asset Identifier, with serial number (Old code value: RAG)
	C208	Identity number range		M		
Global Returnable Asset Identifier (GRAI) (despatch units)	7402	Object identifier	an..35	M		

Segmentstatus: Optional

This segment provides the GRAI. It may not be used to identify or track goods connected to the transport packaging and should therefore only be used in combination with SSCC.

Example: GIN+DA+401234500003000124'

The GRAI is 401234500003000124

Max. Occ. = Maximum Occurrence, St = Status, * = Restricted Codes
Status: M=Mandatory, R=Required, O=Optional, D=Dependent, A=Advised, N=Not used

Segment Layout

Detail section despatch units

No.	Seg	St	Max.	Occ.			
41	SG16	O	9999		CPS-SG17-SG22		
	SG17	O	9999		PAC-QVR-SG18		
	SG18	O	1		PCI-SG20		
	PCI	M	1		Package identification		
To specify markings and labels on individual packages or physical units.							
Business Term		DE	EDIFACT	Format	St	*	Description
Marking with GIAI (despatch unit/s)		4233	Marking instructions code	an..3	R	*	34 Marked GS1 Global Individual Asset Identifier (Old code value: 42G)
<p>Segmentstatus: Optional</p> <p>This segment is used to provide markings with GIAI.</p> <p>Example: PCI+34' Identification with GIAI</p>							

Max. Occ. = Maximum Occurrence, St = Status, * = Restricted Codes
 Status: M=Mandatory, R=Required, O=Optional, D=Dependent, A=Advised, N=Not used

Segment Layout

Detail section despatch units

No.	Seg	St	Max. Occ.	
	SG16	O	9999	CPS-SG17-SG22
	SG17	O	9999	PAC-QVR-SG18
	SG18	O	1	PCI-SG20
	SG20	O	999	GIN
42	GIN	M	1	Goods identity number

To give specific identification numbers, either as single numbers or ranges.

Business Term	DE	EDIFACT	Format	St	*	Description
	7405	Object identification code qualifier	an..3	M	*	CU GS1 Global Individual Asset Identifier (Old code value: IAG)
	C208	Identity number range		M		
Global Individual Asset Identifier (GIAI) (despatch unit/s)	7402	Object identifier	an..35	M		

Segmentstatus: Optional

This segment provides the GIAI. It may not be used to identify or track contained goods and should therefore only be used in combination with SSCC.

Example: **GIN+CU+40123456XY156'**
The GIAI is 40123456XY156

Max. Occ. = Maximum Occurrence, St = Status, * = Restricted Codes
Status: M=Mandatory, R=Required, O=Optional, D=Dependent, A=Advised, N=Not used

Segment Layout

Detail section consignment

No. Seg	St	Max. Occ.				
SG16	O	9999	CPS-SG17-SG22			
SG17	O	9999	PAC-QVR-SG18			
SG18	O	999	PCI-SG20			
43 PCI	M	1	Package identification			
To specify markings and labels on individual packages or physical units.						
Business Term	DE	EDIFACT	Format	St	*	Description
Marking with number of a package (consignment)	4233	Marking instructions code	an..3	R	*	IEN Package Identity Number (GS1 Temporary Code)
	C210	Marks & labels		R		
Number of a package	7102	Shipping marks description	an..35	M		The number of a package may only be used additionally to SSCC.
Segmentstatus: Optional						
This segment is used to provide markings with a number of a package.						
Example: PCI+IEN+12337616644' Package identification						

Max. Occ. = Maximum Occurrence, St = Status, * = Restricted Codes
 Status: M=Mandatory, R=Required, O=Optional, D=Dependent, A=Advised, N=Not used

Segment Layout

Detail section despatch units / articles

No.	Seg	St	Max. Occ.	
44	SG16	O	9999	CPS-SG17-SG22
	CPS	M	1	Consignment packing sequence
To identify the sequence in which physical packing is presented in the consignment, and optionally to identify the hierarchical relationship between packing layers.				
Business Term	DE	EDIFACT	Format	St * Description
Sequence of the packages (despatch units / articles)	7164	Hierarchical structure level identifier	an..35	M Sequential numbering is recommended
Hierarchy level (despatch units / articles)	7166	Hierarchical structure parent identifier	an..35	A
Segmentstatus: Optional				
The line level details package and SSCC information that have not master data character.				
This segment is used to provide the sequence of packages within the consignment, i.e. for each package a starts a new line level by use of the CPS segment and DE 7164 is increased by 1.				
Example: CPS+3+2' Sequence number 3.				

Max. Occ. = Maximum Occurrence, St = Status, * = Restricted Codes
 Status: M=Mandatory, R=Required, O=Optional, D=Dependent, A=Advised, N=Not used

Segment Layout

Detail section despatch units / articles

No.	Seg	St	Max.	Occ.
45	SG16	O	9999	CPS-SG17-SG22
	SG17	O	9999	PAC-QVR-SG18
	PAC	M	1	Package

To describe the number and type of packages/physical units.

Business Term	DE	EDIFACT	Format	St	*	Description
Number of packages (despatch units / articles)	7224	Package quantity	n..8	D		
	C531	Packaging details		O		
	7075	Packaging level code	an..3	N		
	7233	Packaging related description code	an..3	O		50 Package barcoded EAN-13 or EAN-8 52 Package barcoded UCC or EAN-128 78 Package bar-coded and EPC tagged (Old code value: 55E) 79 Package EPC tagged only (Old code value: 56E)
	7073	Packaging terms and conditions code	an..3	O		
	C202	Package type		O		
	7065	Package type description code	an..17	A		201 Pallet ISO 1 - 1/1 EURO Pallet (GS1 Temporary Code) All codes of data element 7065 can be used.
	1131	Code list identification code	an..17	O		
	3055	Code list responsible agency code	an..3	D	*	9 GS1 This data element will only be used if DE 7065 contains a GS1 code.

Segmentstatus: Optional

This segment can be used to indicate the number of despatch units within the hierarchy level defined in the CPS segment. The content of each despatch unit is described in the following LIN segments.

Example: PAC+1+:52+201:::9'

This consignment line contains 1 EURO pallet.

Max. Occ. = Maximum Occurrence, St = Status, * = Restricted Codes
Status: M=Mandatory, R=Required, O=Optional, D=Dependent, A=Advised, N=Not used

Segment Layout

Detail section despatch units / articles

No.	Seg	St	Max.	Occ.	
46	SG16	O	9999		CPS-SG17-SG22
	SG17	O	9999		PAC-QVR-SG18
	SG18	O	1		PCI-SG20
	PCI	M	1		Package identification

To specify markings and labels on individual packages or physical units.

Business Term	DE	EDIFACT	Format	St	*	Description
Marking with SSCC (despatch units / articles)	4233	Marking instructions code	an..3	R	*	39 Marked with Serial Shipping Container Code (SSCC) (Old code value: 33E)

Segmentstatus: Optional

The PCI segment details markings with SSCC.

Example: PCI+39'

Package identification

Max. Occ. = Maximum Occurrence, St = Status, * = Restricted Codes
 Status: M=Mandatory, R=Required, O=Optional, D=Dependent, A=Advised, N=Not used

Segment Layout

Detail section despatch units / articles

No.	Seg	St	Max.	Occ.	
	SG16	O	9999		CPS-SG17-SG22
	SG17	O	9999		PAC-QVR-SG18
	SG18	O	1		PCI-SG20
	SG20	O	1		GIN
47	GIN	M	1		Goods identity number
To give specific identification numbers, either as single numbers or ranges.					
Business Term	DE	EDIFACT	Format	St	* Description
	7405	Object identification code qualifier	an..3	M	* AW Serial shipping container code (Old code value: BJ)
	C208	Identity number range		M	
Serial Shipping Container Code (SSCC at article)	7402	Object identifier	an..35	M	
Segmentstatus: Optional					
This segment provides the SSCC to uniquely identify individual packages.					
Example: GIN+AW+34012345000000014'					
The SSCC is 340123450000000014					

Max. Occ. = Maximum Occurrence, St = Status, * = Restricted Codes
 Status: M=Mandatory, R=Required, O=Optional, D=Dependent, A=Advised, N=Not used

Segment Layout

Detail section despatch units / articles

No. Seg	St	Max. Occ.				
SG16	O	9999	CPS-SG17-SG22			
SG17	O	9999	PAC-QVR-SG18			
SG18	O	1	PCI-SG20			
48 PCI	M	1	Package identification			
To specify markings and labels on individual packages or physical units.						
Business Term	DE	EDIFACT	Format	St	*	Description
Marking with GRAI (despatch units/articles)	4233	Marking instructions code	an..3	R	*	47 Marked with GS1 Global Returnable Asset Identifier (GRAI) (Old code value: 41G)
Segmentstatus: Optional						
This segment is used to provide markings with GRAI.						
Example: PCI+47' Identification with GRAI						

Max. Occ. = Maximum Occurrence, St = Status, * = Restricted Codes
 Status: M=Mandatory, R=Required, O=Optional, D=Dependent, A=Advised, N=Not used

Segment Layout

Detail section despatch units / articles

No.	Seg	St	Max. Occ.	
	SG16	O	9999	CPS-SG17-SG22
	SG17	O	9999	PAC-QVR-SG18
	SG18	O	1	PCI-SG20
	SG20	O	999	GIN
49	GIN	M	1	Goods identity number

To give specific identification numbers, either as single numbers or ranges.

Business Term	DE	EDIFACT	Format	St	*	Description
	7405	Object identification code qualifier	an..3	M		DA GS1 Global Returnable Asset Identifier, without serial number DB GS1 Global Returnable Asset Identifier, with serial number (Old code value: RAG)
	C208	Identity number range		M		
Global Returnable Asset Identifier (GRAI) (despatch units/articles)	7402	Object identifier	an..35	M		

Segmentstatus: Optional

This segment provides the GRAI. It may not be used to identify or track goods connected to the transport packaging and should therefore only be used in combination with SSCC.

Example: GIN+DA+401234500003000125'
The GRAI is 401234500003000125

Max. Occ. = Maximum Occurrence, St = Status, * = Restricted Codes
Status: M=Mandatory, R=Required, O=Optional, D=Dependent, A=Advised, N=Not used

Segment Layout

Detail section despatch units / articles

No. Seg	St	Max. Occ.				
SG16	O	9999	CPS-SG17-SG22			
SG17	O	9999	PAC-QVR-SG18			
SG18	O	1	PCI-SG20			
50 PCI	M	1	Package identification			
To specify markings and labels on individual packages or physical units.						
Business Term	DE	EDIFACT	Format	St	*	Description
Marking with GIAI (despatch unit/s /articles)	4233	Marking instructions code	an..3	R	*	34 Marked GS1 Global Individual Asset Identifier (Old code value: 42G)
Segmentstatus: Optional						
This segment is used to provide markings with GIAI.						
Example: PCI+34 ' Identification with GIAI						

Max. Occ. = Maximum Occurrence, St = Status, * = Restricted Codes
 Status: M=Mandatory, R=Required, O=Optional, D=Dependent, A=Advised, N=Not used

Segment Layout

Detail section despatch units / articles

No.	Seg	St	Max.	Occ.	
	SG16	O	9999		CPS-SG17-SG22
	SG17	O	9999		PAC-QVR-SG18
	SG18	O	1		PCI-SG20
	SG20	O	999		GIN
51	GIN	M	1		Goods identity number
To give specific identification numbers, either as single numbers or ranges.					
Business Term	DE	EDIFACT	Format	St	* Description
	7405	Object identification code qualifier	an..3	M	* CU GS1 Global Individual Asset Identifier (Old code value: IAG)
	C208	Identity number range		M	
Global Individual Asset Identifier (GIAI) (despatch unit/s /articles)	7402	Object identifier	an..35	M	
<p>Segmentstatus: Optional</p> <p>This segment provides the GIAI. It may not be used to identify or track contained goods and should therefore only be used in combination with SSCC.</p> <p>Example: GIN+CU+40123456XY157' The GIAI is 40123456XY157</p>					

Max. Occ. = Maximum Occurrence, St = Status, * = Restricted Codes
 Status: M=Mandatory, R=Required, O=Optional, D=Dependent, A=Advised, N=Not used

Segment Layout

Detail section despatch units / articles

No. Seg	St	Max. Occ.				
52	SG16	O	9999	CPS-SG17-SG22		
	SG17	O	9999	PAC-QVR-SG18		
	SG18	O	1	PCI-SG20		
	PCI	M	1	Package identification		
To specify markings and labels on individual packages or physical units.						
Business Term	DE	EDIFACT	Format	St	*	Description
Marking with number of a package (consignment)	4233	Marking instructions code	an..3	R	*	IEN Package Identity Number (GS1 Temporary Code)
	C210	Marks & labels		R		
Number of a package	7102	Shipping marks description	an..35	M		The number of a package may only be used additionally to SSCC.
Segmentstatus: Optional						
This segment is used to provide markings with a number of a package.						
Example: PCI+IEN+12337616644' Package identification						

Max. Occ. = Maximum Occurrence, St = Status, * = Restricted Codes
 Status: M=Mandatory, R=Required, O=Optional, D=Dependent, A=Advised, N=Not used

Segment Layout

Detail section despatch units / articles

No. Seg	St	Max. Occ.				
SG16	O	9999	CPS-SG17-SG22			
SG17	O	9999	PAC-QVR-SG18			
SG18	O	1	PCI-SG20			
53 PCI	M	1	Package identification			
To specify markings and labels on individual packages or physical units.						
Business Term	DE	EDIFACT	Format	St	*	Description
	4233	Marking instructions code	an..3	A	*	16 Buyer's instructions
	C210	Marks & labels		D		
Label type, code	7102	Shipping marks description	an..35	M		
Label, description/content	7102	Shipping marks description	an..35	O		
Segmentstatus: Optional						
This segment is used to indicate label information.						
The use of DE 7102 must be bilaterally agreed.						
Example: PCI+16+Code:DESCR' Label information						

Max. Occ. = Maximum Occurrence, St = Status, * = Restricted Codes
 Status: M=Mandatory, R=Required, O=Optional, D=Dependent, A=Advised, N=Not used

Segment Layout

Detail section articles

No.	Seg	St	Max. Occ.	
54	SG16	O	9999	CPS-SG17-SG22
	SG22	R	9999	LIN-PIA-IMD-QTY-QVR-DTM-FTX-SG28-SG29
	LIN	M	1	Line item

To identify a line item and configuration.

Business Term	DE	EDIFACT	Format	St	*	Description
Line item number	1082	Line item identifier	an..6	R		Application generated number of the item lines within the message
	1229	Action request/ notification description code	an..3	N		
	C212	Item number identification		D		
GTIN Article identification	7140	Item identifier	an..35	R		GTIN, Format n..14
	7143	Item type identification code	an..3	R	*	SRV GS1 Global Trade Item Number

Segmentstatus: Mandatory

The LIN segment is used to identify the products contained in the consignment.

Example: `LIN+1++4056786542381:SRV'`

The despatched product is identified by GTIN 4056786542381.

Max. Occ. = Maximum Occurrence, St = Status, * = Restricted Codes
 Status: M=Mandatory, R=Required, O=Optional, D=Dependent, A=Advised, N=Not used

Segment Layout

Detail section articles

No. Seg	St	Max. Occ.				
SG16	O	9999	CPS-SG17-SG22			
SG22	R	9999	LIN-PIA-IMD-QTY-QVR-DTM-FTX-SG28-SG29			
55	PIA	D 1	Additional product id			
To specify additional or substitutional item identification codes.						
Business Term	DE	EDIFACT	Format	St	*	Description
	4347	Product identifier code qualifier	an..3	M	*	5 Product identification
	C212	Item number identification		M		
Suppliers article number	7140	Item identifier	an..35	R		
	7143	Item type identification code	an..3	R	*	SA Supplier's article number
	1131	Code list identification code	an..17	N		
	3055	Code list responsible agency code	an..3	R	*	91 Assigned by supplier or supplier's agent
<p>Segmentstatus: Mandatory, if LIN segment does not provide a GTIN, otherwise segment is not used.</p> <p>This segment is only used, if LIN segment does not provide a GTIN. It than must follow the LIN segment immediatly. In this case LIN segment (mandatory) only provides the line item number. Identification of the article is done by use of the suppliers article number in this PIA segment, DE 4347 is filled with "5" for primary identification.</p> <p>Example: PIA+5+ABC5343:SA: :91'</p> <p>Only if LIN does not provide GTIN: Articleidentification in PIA</p>						

Max. Occ. = Maximum Occurrence, St = Status, * = Restricted Codes
 Status: M=Mandatory, R=Required, O=Optional, D=Dependent, A=Advised, N=Not used

Segment Layout

Detail section articles

No. Seg	St	Max. Occ.				
SG16	O	9999	CPS-SG17-SG22			
SG22	R	9999	LIN-PIA-IMD-QTY-QVR-DTM-FTX-SG28-SG29			
56	O	1	Additional product id			
To specify additional or substitutional item identification codes.						
Business Term	DE	EDIFACT	Format	St	*	Description
	4347	Product identifier code qualifier	an..3	M	*	1 Additional identification
	C212	Item number identification		M		
Suppliers article number (secondary indent.)	7140	Item identifier	an..35	R		
	7143	Item type identification code	an..3	R	*	SA Supplier's article number
	1131	Code list identification code	an..17	N		
	3055	Code list responsible agency code	an..3	R	*	91 Assigned by supplier or supplier's agent
Segmentstatus: Optional						
This segment is used to advise the suppliers article number additionally to GTIN.						
Example: PIA+1+7788:SA::91'						
The product with GTIN 4056786542381 is additionally identified with suppliers article number 7788.						

Max. Occ. = Maximum Occurrence, St = Status, * = Restricted Codes
 Status: M=Mandatory, R=Required, O=Optional, D=Dependent, A=Advised, N=Not used

Segment Layout

Detail section articles

No.	Seg	St	Max.	Occ.	
	SG16	O	9999		CPS-SG17-SG22
	SG22	R	9999		LIN-PIA-IMD-QTY-QVR-DTM-FTX-SG28-SG29
57	PIA	O	1		Additional product id
To specify additional or substitutional item identification codes.					
Business Term	DE	EDIFACT	Format	St	* Description
	4347	Product identifier code qualifier	an..3	M	* 1 Additional identification
	C212	Item number identification		M	
Buyers article number	7140	Item identifier	an..35	R	
	7143	Item type identification code	an..3	R	* IN Buyer's item number
	1131	Code list identification code	an..17	N	
	3055	Code list responsible agency code	an..3	R	* 92 Assigned by buyer or buyer's agent
Segmentstatus: Optional					
This segment is used to advise the buyers article number additionally to GTIN.					
Example: PIA+1+1234:IN::92'					
The product with GTIN 4056786542381 is additionally identified with buyers article number 1234.					

Max. Occ. = Maximum Occurrence, St = Status, * = Restricted Codes
 Status: M=Mandatory, R=Required, O=Optional, D=Dependent, A=Advised, N=Not used

Segment Layout

Detail section articles

No.	Seg	St	Max. Occ.	
	SG16	O	9999	CPS-SG17-SG22
	SG22	R	9999	LIN-PIA-IMD-QTY-QVR-DTM-FTX-SG28-SG29
58	PIA	O	1	Additional product id

To specify additional or substitutional item identification codes.

Business Term	DE	EDIFACT	Format	St	*	Description
	4347	Product identifier code qualifier	an..3	M	*	1 Additional identification
	C212	Item number identification		M		
Articles promotional variant	7140	Item identifier	an..35	R		
	7143	Item type identification code	an..3	R	*	PV Promotional variant number
	1131	Code list identification code	an..17	N		
	3055	Code list responsible agency code	an..3	R	*	9 GS1 91 Assigned by supplier or supplier's agent 92 Assigned by buyer or buyer's agent

Segmentstatus: Optional

This segment is used to mark an article as a promotional variant.

DE 7143 = PV, promotional variant: The number supplementing the identification code of a product identifies this product as a variant of the standard product. To be used if the variant has only minimal differences and a changed of the main identification code is not justified.

Example: PIA+1+4056786542381:PV::9'

The product identified with GTIN 4056786542381 is a promotional variant.

Max. Occ. = Maximum Occurrence, St = Status, * = Restricted Codes
 Status: M=Mandatory, R=Required, O=Optional, D=Dependent, A=Advised, N=Not used

Segment Layout

Detail section articles

No.	Seg	St	Max.	Occ.	
	SG16	O	9999		CPS-SG17-SG22
	SG22	R	9999		LIN-PIA-IMD-QTY-QVR-DTM-FTX-SG28-SG29
59	PIA	O	1		Additional product id
To specify additional or substitutional item identification codes.					
Business Term	DE	EDIFACT	Format	St	* Description
	4347	Product identifier code qualifier	an..3	M	* 1 Additional identification
	C212	Item number identification		M	
Batch number	7140	Item identifier	an..35	R	
	7143	Item type identification code	an..3	R	* NB Batch number
	1131	Code list identification code	an..17	N	
	3055	Code list responsible agency code	an..3	D	* 91 Assigned by supplier or supplier's agent
Segmentstatus: Optional					
This segment can be used to indicate the batch number.					
Example: PIA+1+CH-X4711:NB::91'					
The batch number of the product is CH-X4711.					

Max. Occ. = Maximum Occurrence, St = Status, * = Restricted Codes
 Status: M=Mandatory, R=Required, O=Optional, D=Dependent, A=Advised, N=Not used

Segment Layout

Detail section articles

No.	Seg	St	Max.	Occ.	
	SG16	O	9999		CPS-SG17-SG22
	SG22	R	9999		LIN-PIA-IMD-QTY-QVR-DTM-FTX-SG28-SG29
60	PIA	O	1		Additional product id

To specify additional or substitutional item identification codes.

Business Term	DE	EDIFACT	Format	St	*	Description
	4347	Product identifier code qualifier	an..3	M	*	1 Additional identification
	C212	Item number identification		M		
Serial number	7140	Item identifier	an..35	R		
	7143	Item type identification code	an..3	R	*	SN Serial number
	1131	Code list identification code	an..17	N		
	3055	Code list responsible agency code	an..3	D	*	91 Assigned by supplier or supplier's agent 92 Assigned by buyer or buyer's agent

Segmentstatus: Optional

This segment can be used to indicate the serial number of a product.

Example: PIA+1+CH-X4711:SN::91'

The serial number of the product is CH-X4711.

Max. Occ. = Maximum Occurrence, St = Status, * = Restricted Codes
Status: M=Mandatory, R=Required, O=Optional, D=Dependent, A=Advised, N=Not used

Segment Layout

Detail section articles

No.	Seg	St	Max. Occ.	
61	SG16	O	9999	CPS-SG17-SG22
	SG22	R	9999	LIN-PIA-IMD-QTY-QVR-DTM-FTX-SG28-SG29
	QTY	R	1	Quantity

To specify a pertinent quantity.

Business Term	DE	EDIFACT	Format	St	*	Description
	C186	Quantity details		M		
	6063	Quantity type code qualifier	an..3	M	*	46 Delivered quantity
Delivered quantity	6060	Quantity	an..35	M		Note: Use only numeric values.
	6411	Measurement unit code	an..3	D		KGM kilogram LTR litre All code values from EANCOM code list 6411 and UN/ECE Recommendation 20 code list available.

Segmentstatus: Mandatory

This segment is used to indicate quantity information for the delivered product identified in LIN.

DE 6411 is only used, if the article is a variable quantity article. Default value is piece.

Example: QTY+46:9'

The delivered quantity is 9 pieces.

Max. Occ. = Maximum Occurrence, St = Status, * = Restricted Codes
Status: M=Mandatory, R=Required, O=Optional, D=Dependent, A=Advised, N=Not used

Segment Layout

Detail section articles

No.	Seg	St	Max. Occ.			
62	SG16	O	9999	CPS-SG17-SG22		
	SG22	R	9999	LIN-PIA-IMD-QTY-QVR-DTM-FTX-SG28-SG29		
	QTY	R	1	Quantity To specify a pertinent quantity.		
Business Term	DE	EDIFACT	Format	St	*	Description
	C186	Quantity details		M		
	6063	Quantity type code qualifier	an..3	M	*	12 Despatch quantity
Despatched quantity / Advised quantity	6060	Quantity	an..35	M		Note: Use only numeric values.
	6411	Measurement unit code	an..3	D		KGM kilogram LTR litre All code values from EANCOM code list 6411 and UN/ECE Recommendation 20 code list available.
<p>Segmentstatus: Mandatory</p> <p>This segment is used to indicate quantity information for the despatched/advised product identified in LIN.</p> <p>DE 6411 is only used, if the article is a variable quantity article.</p> <p>Example: QTY+12:5:KGM' The advised quantity is 5 kgm.</p>						

Max. Occ. = Maximum Occurrence, St = Status, * = Restricted Codes
 Status: M=Mandatory, R=Required, O=Optional, D=Dependent, A=Advised, N=Not used

Segment Layout

Detail section articles

No.	Seg	St	Max.	Occ.	
	SG16	O	9999		CPS-SG17-SG22
	SG22	R	9999		LIN-PIA-IMD-QTY-QVR-DTM-FTX-SG28-SG29
63	QTY	R	1		Quantity
To specify a pertinent quantity.					
Business Term	DE	EDIFACT	Format	St	* Description
	C186	Quantity details		M	
	6063	Quantity type code qualifier	an..3	M	* 194 Received and accepted
Quantity accepted	6060	Quantity	an..35	M	Note: Use only numeric values.
	6411	Measurement unit code	an..3	D	KGM kilogram LTR litre All code values from EANCOM code list 6411 and UN/ECE Recommendation 20 code list available.
Segmentstatus: Mandatory					
This segment is used to indicate quantity information for the delivered/accepted product identified in LIN. The quantity is indicated in the measurement unit that is used for invoicing.					
DE 6411 is only used, if the article is a variable quantity article. Default value is piece.					
Example: QTY+194:5'					
The accepted quantity is 5 pieces.					

Max. Occ. = Maximum Occurrence, St = Status, * = Restricted Codes
 Status: M=Mandatory, R=Required, O=Optional, D=Dependent, A=Advised, N=Not used

Segment Layout

Detail section articles

No. Seg	St	Max. Occ.				
SG16	O	9999	CPS-SG17-SG22			
SG22	R	9999	LIN-PIA-IMD-QTY-QVR-DTM-FTX-SG28-SG29			
64 QVR	D	1	Quantity variances			
To specify item details relating to quantity variances.						
Business Term	DE	EDIFACT	Format	St	*	Description
	C279	Quantity difference information		R		
Quantity variance	6064	Quantity variance value	n..15	M		
	6063	Quantity type code qualifier	an..3	R		119 Short shipped 121 Over shipped 195 Received, not accepted, to be returned 196 Received, not accepted, to be destroyed
	4221	Discrepancy nature identification code	an..3	O	*	AF Goods delivered damaged AG Delivered too late OS Item out of stock because of strike of force majeure (OS = Regulatory reasons)
	C960	Reason for change		O		
	4295	Change reason description code	an..3	O		AT Item not ordered BB Transport means technical failure (Old code value: X37) BC Equipment technical failure (Old code value: X38) BE Goods technical failure (Old code value: X39) BF Spoilage of goods (Old code value: X40) BG Grade difference out of tolerance level (Old code value: X41) BN Temperature outside agreed range

Max. Occ. = Maximum Occurrence, St = Status, * = Restricted Codes
Status: M=Mandatory, R=Required, O=Optional, D=Dependent, A=Advised, N=Not used

Segment Layout

Detail section articles

Business Term	DE	EDIFACT	Format	St	*	Description
						(Old code value: X32) BK Barcode not readable BM Minimum/maximum product durability date unacceptable (Old code value: PE) BX Delivered too late (Old code value: X34) UM Unit of measure difference

Segmentstatus: Mandatory, if variances apply

This segments indicates the variances between accepted (QTY+194) and depatched/advised (QTY+12) quantity.

Calculation formula: Variance (QVR) =Accepted (QTY+194) - Despatched/Avised (QTY+12)

For negative values (e.g. not accepted damaged goods) the minus sign must be used for variances. It is not possible to indicate a measurement unit. It is identical with the measurement of the accepted quantity (QTY+194).

Note DE 4221: Only the listed qualifiers may be used.

Example: QVR+-4:195+AF+AT'

4 damaged units have not been accepted.

Max. Occ. = Maximum Occurrence, St = Status, * = Restricted Codes
 Status: M=Mandatory, R=Required, O=Optional, D=Dependent, A=Advised, N=Not used

Segment Layout

Detail section articles

No.	Seg	St	Max.	Occ.			
65	SG16	O	9999		CPS-SG17-SG22		
	SG22	R	9999		LIN-PIA-IMD-QTY-QVR-DTM-FTX-SG28-SG29		
	DTM	O	1		Date/time/period To specify date, and/or time, or period.		
Business Term		DE	EDIFACT	Format	St	*	Description
		C507	Date/time/period		M		
		2005	Date or time or period function code qualifier	an..3	M	*	361 Best before date
	Best before date	2380	Date or time or period value	an..35	R		
		2379	Date or time or period format code	an..3	R		102 CCYYMMDD
<p>Segmentstatus: Optional</p> <p>This segment can be used to provide the best before date.</p> <p>Example: DTM+361:20201231:102' Best before date is the 31th of December 2020.</p>							

Max. Occ. = Maximum Occurrence, St = Status, * = Restricted Codes
 Status: M=Mandatory, R=Required, O=Optional, D=Dependent, A=Advised, N=Not used

Segment Layout

Detail section articles

No.	Seg	St	Max.	Occ.	
	SG16	O	9999		CPS-SG17-SG22
	SG22	R	9999		LIN-PIA-IMD-QTY-QVR-DTM-FTX-SG28-SG29
66	DTM	O	1		Date/time/period To specify date, and/or time, or period.

Business Term	DE	EDIFACT	Format	St	*	Description
	C507	Date/time/period		M		
	2005	Date or time or period function code qualifier	an..3	M	*	36 Expiry date
Expiry date	2380	Date or time or period value	an..35	R		
	2379	Date or time or period format code	an..3	R		102 CCYYMMDD

Segmentstatus: Optional

This segment can be used to provide the expiry date.

Example: `DTM+36:20201231:102'`
Expiry date is the 31th of December 2020.

Max. Occ. = Maximum Occurrence, St = Status, * = Restricted Codes
Status: M=Mandatory, R=Required, O=Optional, D=Dependent, A=Advised, N=Not used

Segment Layout

Detail section articles

No.	Seg	St	Max.	Occ.	
	SG16	O	9999		CPS-SG17-SG22
	SG22	R	9999		LIN-PIA-IMD-QTY-QVR-DTM-FTX-SG28-SG29
	SG28	O	1		RFF-DTM
67	RFF	M	1		Reference
To specify a reference.					
Business Term	DE	EDIFACT	Format	St	* Description
	C506	Reference		M	
	1153	Reference code qualifier	an..3	M	* UC Ultimate customer's reference number
Ultimate customers order number	1154	Reference identifier	an..70	R	
Order line number	1156	Document line identifier	an..6	O	
Segmentstatus: Optional					
This segment can be used to refer to the customers order number (e.g. request for quotation).					
Example: RFF+UC:7001:4711'					
The receiving advice refers to ultimate customers order number 7001, line 4711.					

Max. Occ. = Maximum Occurrence, St = Status, * = Restricted Codes
 Status: M=Mandatory, R=Required, O=Optional, D=Dependent, A=Advised, N=Not used

Segment Layout

Detail section articles

No.	Seg	St	Max.	Occ.	
	SG16	O	9999		CPS-SG17-SG22
	SG22	R	9999		LIN-PIA-IMD-QTY-QVR-DTM-FTX-SG28-SG29
	SG28	O	1		RFF-DTM
68	RFF	M	1		Reference
To specify a reference.					
Business Term	DE	EDIFACT	Format	St	* Description
	C506	Reference		M	
	1153	Reference code qualifier	an..3	M	* ON Order number (buyer)
Buyers order number (Detail section articles)	1154	Reference identifier	an..70	R	
Order line item number	1156	Document line identifier	an..6	O	
Segmentstatus: Optional					
This segments enables a reference to the buyers order number and line item number.					
Example: RFF+ON:4811:7'					
The despatch advide refers to line 7 of buyers order number 4811.					

Max. Occ. = Maximum Occurrence, St = Status, * = Restricted Codes
 Status: M=Mandatory, R=Required, O=Optional, D=Dependent, A=Advised, N=Not used

Segment Layout

Detail section articles

No.	Seg	St	Max.	Occ.	
	SG16	O	9999		CPS-SG17-SG22
	SG22	R	9999		LIN-PIA-IMD-QTY-QVR-DTM-FTX-SG28-SG29
	SG28	O	1		RFF-DTM
69	RFF	M	1		Reference
To specify a reference.					
Business Term	DE	EDIFACT	Format	St	* Description
	C506	Reference		M	
	1153	Reference code qualifier	an..3	M	* XA Company/place registration number
Company registration number (German ElektroG)	1154	Reference identifier	an..70	R	
Segmentstatus: Optional					
The RFF segment can specify the registration number to identify the manufacturer of electric and electronic parts. The indication here overwrites a possible indication in the heading section.					
Structure DE 1154: Code "WEEE" followed by a blank and the registration number.					
Example: RFF+XA:WEEE DE 13345678'					
The WEEE registration number is DE 13345678.					

Max. Occ. = Maximum Occurrence, St = Status, * = Restricted Codes
 Status: M=Mandatory, R=Required, O=Optional, D=Dependent, A=Advised, N=Not used

Segment Layout

1.Detail section - invoiced unit

No. Seg	St	Max. Occ.				
SG16	O	9999	CPS-SG17-SG22			
SG22	R	9999	LIN-PIA-IMD-QTY-QVR-DTM-FTX-SG28-SG29			
SG28	O	10	RFF-DTM			
70	RFF	M 1	Reference			
To specify a reference.						
Business Term	DE	EDIFACT	Format	St	*	Description
	C506	Reference		M		
	1153	Reference code qualifier	an..3	M	*	TAU Aggregated level unique identifier (aUI) see note
Aggregated level unique identifier (aUI)	1154	Reference identifier	an..70	R		
<p>Segmentstatus: Optional</p> <p>This segment is used to reference the aggregated level unique identifier (aUI), e.g. in tobacco traceability.</p> <p>Note to DE 1153: Code value TAU: A corresponding work request was made within the framework of the GSMP. Later code adjustments can be made.</p> <p>Example: RFF+TAU:4714' The message references to the aggregated level unique identifier (aUI) 4714.</p>						

Max. Occ. = Maximum Occurrence, St = Status, * = Restricted Codes
Status: M=Mandatory, R=Required, O=Optional, D=Dependent, A=Advised, N=Not used

Segment Layout

1.Detail section - invoiced unit

No. Seg	St	Max. Occ.				
SG16	O	9999	CPS-SG17-SG22			
SG22	R	9999	LIN-PIA-IMD-QTY-QVR-DTM-FTX-SG28-SG29			
SG28	O	10	RFF-DTM			
71 RFF	M	1	Reference			
To specify a reference.						
Business Term	DE	EDIFACT	Format	St	*	Description
	C506	Reference		M		
	1153	Reference code qualifier	an..3	M	*	TUU Aggregated level unique identifier (upUI) see note
Unit packet level unique identifier (upUI)	1154	Reference identifier	an..70	R		
<p>Segmentstatus: Optional</p> <p>This segment is used to reference the Unit packet level unique identifier (upUI), e.g. in tobacco traceability.</p> <p>Note to DE 1153: Code value TUU: A corresponding work request was made within the framework of the GSMP. Later code adjustments can be made.</p> <p>Example: RFF+TUU:4714' The message references to the unit packet level unique identifier (upID) 4714.</p>						

Max. Occ. = Maximum Occurrence, St = Status, * = Restricted Codes
Status: M=Mandatory, R=Required, O=Optional, D=Dependent, A=Advised, N=Not used

Segment Layout

Detail section articles

No. Seg	St	Max. Occ.				
SG16	O	9999	CPS-SG17-SG22			
SG22	R	9999	LIN-PIA-IMD-QTY-QVR-DTM-FTX-SG28-SG29			
SG29	O	1	PCI-QTY-QVR-SG31			
72	PCI	M 1	Package identification			
To specify markings and labels on individual packages or physical units.						
Business Term	DE	EDIFACT	Format	St	*	Description
Marking on package	4233	Marking instructions code	an..3	R		<p>17 Supplier's instructions</p> <p>To be used in conjunction with DE 7102.</p> <p>34E Marked with GS1 number (GS1 Temporary Code)</p> <p>To be used in conjunction with the following GIN segment.</p> <p>41 Marked with batch number (Old code value: 36E)</p> <p>To be used in conjunction with the following GIN segment.</p> <p>43 Marked with expiry date (Old code value: 38E)</p> <p>To be used in conjunction with the following DTM segment.</p> <p>44 Marked with best before date (Old code value: 39E)</p> <p>To be used in conjunction with the following DTM segment.</p>
	C210	Marks & labels		O		
	7102	Shipping marks description	an..35	M		
	7102	Shipping marks description	an..35	O		
	7102	Shipping marks description	an..35	O		
	7102	Shipping marks description	an..35	O		
	7102	Shipping marks description	an..35	O		
	7102	Shipping marks description	an..35	O		
	7102	Shipping marks description	an..35	O		
	7102	Shipping marks	an..35	O		

Max. Occ. = Maximum Occurrence, St = Status, * = Restricted Codes
 Status: M=Mandatory, R=Required, O=Optional, D=Dependent, A=Advised, N=Not used

Segment Layout

Detail section articles

Business Term	DE	EDIFACT	Format	St	*	Description
		description				
	7102	Shipping marks description	an..35	O		
	7102	Shipping marks description	an..35	O		

Segmentstatus: Optional

This segment is used to provide markings and labels information relevant to the product identified in the LIN segment.

Example: `PCI+17+1:1:1:1:1:1:1:1:1:1'`

The package is marked with instructions.

Max. Occ. = Maximum Occurrence, St = Status, * = Restricted Codes
 Status: M=Mandatory, R=Required, O=Optional, D=Dependent, A=Advised, N=Not used

Segment Layout

Detail section articles

No.	Seg	St	Max.	Occ.	
	SG16	O	9999		CPS-SG17-SG22
	SG22	R	9999		LIN-PIA-IMD-QTY-QVR-DTM-FTX-SG28-SG29
	SG29	O	1		PCI-QTY-QVR-SG31
	SG31	O	1		GIN
73	GIN	M	1		Goods identity number
To give specific identification numbers, either as single numbers or ranges.					
Business Term	DE	EDIFACT	Format	St	* Description
	7405	Object identification code qualifier	an..3	M	* BX Batch number
	C208	Identity number range		M	
Batch number (package)	7402	Object identifier	an..35	M	
Segmentstatus: Optional					
If the package of the product is marked with a batch number, it is indicated here.					
Example: GIN+BX+987654'					
The batch number is 987654.					

Max. Occ. = Maximum Occurrence, St = Status, * = Restricted Codes
 Status: M=Mandatory, R=Required, O=Optional, D=Dependent, A=Advised, N=Not used

Segment Layout

Detail section articles

No.	Seg	St	Max.	Occ.	
	SG16	O	9999		CPS-SG17-SG22
	SG22	R	9999		LIN-PIA-IMD-QTY-QVR-DTM-FTX-SG28-SG29
	SG29	O	1		PCI-QTY-QVR-SG31
	SG31	O	1		GIN
74	GIN	M	1		Goods identity number

To give specific identification numbers, either as single numbers or ranges.

Business Term	DE	EDIFACT	Format	St	*	Description
	7405	Object identification code qualifier	an..3	M	*	SRV GS1 Global Trade Item Number (GS1 Temporary Code)
GTIN (package)	C208	Identity number range		M		
	7402	Object identifier	an..35	M		

Segmentstatus: Optional

If the package of the product is marked with a GTIN, it is indicated here.

Example: **GIN+SRV+4000862141423'**

The GTIN is 4000862141423.

Max. Occ. = Maximum Occurrence, St = Status, * = Restricted Codes
 Status: M=Mandatory, R=Required, O=Optional, D=Dependent, A=Advised, N=Not used

Segment Layout

Detail section articles

No.	Seg	St	Max. Occ.	
	SG16	O	9999	CPS-SG17-SG22
	SG22	R	9999	LIN-PIA-IMD-QTY-QVR-DTM-FTX-SG28-SG29
	SG29	O	1	PCI-QTY-QVR-SG31
	SG31	O	1	GIN
75	GIN	M	1	Goods identity number

To give specific identification numbers, either as single numbers or ranges.

Business Term	DE	EDIFACT	Format	St	*	Description
	7405	Object identification code qualifier	an..3	M	*	BN Serial number
	C208	Identity number range		M		
Serialized GTIN (package)	7402	Object identifier	an..35	M		The serialised GTIN (SGTIN) is composed by the GTIN from the previous GIN segment plus the current serial number.
	7402	Object identifier	an..35	O		
	C208	Identity number range		O		
	7402	Object identifier	an..35	M		
	7402	Object identifier	an..35	O		
	C208	Identity number range		O		
	7402	Object identifier	an..35	M		
	7402	Object identifier	an..35	O		
	C208	Identity number range		O		
	7402	Object identifier	an..35	M		
	7402	Object identifier	an..35	O		
	C208	Identity number range		O		
	7402	Object identifier	an..35	M		
	7402	Object identifier	an..35	O		

Segmentstatus: Optional

If a serialised GTIN shall be indicated, this segment follows GIN+SRV.....

Note:

It is possible to indicate a range of numbers per C208. If single serial numbers shall be indicated, each C208 contains one serial number.

Example: GIN+BN+999888777+ABC123+ABC123+ABC123+ABC123'

The serialised GTIN is 4000862141423999888777.

Max. Occ. = Maximum Occurrence, St = Status, * = Restricted Codes
 Status: M=Mandatory, R=Required, O=Optional, D=Dependent, A=Advised, N=Not used

Segment Layout

Detail section articles

No.	Seg	St	Max.	Occ.	
	SG16	O	9999		CPS-SG17-SG22
	SG22	R	9999		LIN-PIA-IMD-QTY-QVR-DTM-FTX-SG28-SG29
	SG29	O	1		PCI-QTY-QVR-SG31
76	PCI	M	1		Package identification

To specify markings and labels on individual packages or physical units.

Business Term	DE	EDIFACT	Format	St	*	Description
	4233	Marking instructions code	an..3	A	*	16 Buyer's instructions
	C210	Marks & labels		D		
Label type, code (Article)	7102	Shipping marks description	an..35	M		
Label, description/content (article)	7102	Shipping marks description	an..35	O		

Segmentstatus: Optional

This segment is used to indicate label information.

Label information

Example: **PCI+16+Code:DESCR'**

The use of DE 7102 must be bilaterally agreed.

Max. Occ. = Maximum Occurrence, St = Status, * = Restricted Codes
 Status: M=Mandatory, R=Required, O=Optional, D=Dependent, A=Advised, N=Not used

Segment Layout

2.Detail section - units included in assortment

No. Seg	St	Max. Occ.				
SG16	O	9999	CPS-SG17-SG22			
SG22	D	9999	LIN-PIA-IMD-QTY-QVR-DTM-FTX-SG28-SG29			
77	LIN	M 1	Line item			
To identify a line item and configuration.						
Business Term	DE	EDIFACT	Format	St	*	Description
Sub line to describe assortment/display. Listing of included units. Line item number (Display content)	1082	Line item identifier	an..6	R		Application generated number of the item lines within the message.
	1229	Action request/ notification description code	an..3	N		
	C212	Item number identification		D		
GTIN Article identifikation (Display content)	7140	Item identifier	an..35	R		GTIN, Format n..14
	7143	Item type identification code	an..3	R	*	SRV GS1 Global Trade Item Number
	1131	Code list identification code	an..17	N		
	3055	Code list responsible agency code	an..3	N		
	C829	Sub-line information		D		
	5495	Sub-line indicator code	an..3	R	*	1 Sub-line information
	1082	Line item identifier	an..6	R		Reference to line item number
<p>Segmentgroup status: Only to indicate the content of assortments/displays! Segmentstatus: Mandatory</p> <p>One LIN sub line has to be indicated per unit included in assortment. The display and each contained unit are identified with their own, different GTIN.</p> <p>C829: These composites are only used when sub-lines are required.</p> <p>FOR A COMPLETE DESCRIPTION ON THE USAGE OF SUB-LINES PLEASE REFER TO PART I, SECTION 4.10 OF THE EANCOM 2002 MANUAL.</p> <p>Example: LIN+2++4000862141423:SRV+1:1' Sub line to describe units included in assortment/display</p>						

Max. Occ. = Maximum Occurrence, St = Status, * = Restricted Codes
 Status: M=Mandatory, R=Required, O=Optional, D=Dependent, A=Advised, N=Not used

Segment Layout

2.Detail section - units included in assortment

No.	Seg	St	Max.	Occ.	
78	SG16	O	9999		CPS-SG17-SG22
	SG22	D	9999		LIN-PIA-IMD-QTY-QVR-DTM-FTX-SG28-SG29
	PIA	D	1		Additional product id

To specify additional or substitutional item identification codes.

Business Term	DE	EDIFACT	Format	St	*	Description
	4347	Product identifier code qualifier	an..3	M	*	5 Product identification
	C212	Item number identification		M		
Suppliers article number (Display content)	7140	Item identifier	an..35	R		
	7143	Item type identification code	an..3	R	*	SA Supplier's article number
	1131	Code list identification code	an..17	N		
	3055	Code list responsible agency code	an..3	R	*	91 Assigned by supplier or supplier's agent

Segmentstatus: Mandatory, if LIN segment does not provide a GTIN, otherwise segment is not used.

This segment is only used, if LIN segment does not provide a GTIN. It than must follow the LIN segment immediatly. In this case LIN segment (mandatory) only provides the line item number and indication of sub line level. Identification of the article is done by use of the suppliers article number in this PIA segment, DE 4347 is filled with "5" for primary identification.

Example: PIA+5+ABC5343:SA::91'

Only if LIN does not provide GTIN: Articleidentification in PIA

Max. Occ. = Maximum Occurrence, St = Status, * = Restricted Codes
 Status: M=Mandatory, R=Required, O=Optional, D=Dependent, A=Advised, N=Not used

Segment Layout

2.Detail section - units included in assortment

No. Seg	St	Max. Occ.				
SG16	O	9999	CPS-SG17-SG22			
SG22	D	9999	LIN-PIA-IMD-QTY-QVR-DTM-FTX-SG28-SG29			
79	PIA	D 1	Additional product id			
To specify additional or substitutional item identification codes.						
Business Term	DE	EDIFACT	Format	St	*	Description
	4347	Product identifier code qualifier	an..3	M	*	1 Additional identification
	C212	Item number identification		M		
Suppliers article number (Display content)	7140	Item identifier	an..35	R		
	7143	Item type identification code	an..3	R	*	SA Supplier's article number
	1131	Code list identification code	an..17	N		
	3055	Code list responsible agency code	an..3	R	*	91 Assigned by supplier or supplier's agent
	C212	Item number identification		O		
Buyer's part number (Display content)	7140	Item identifier	an..35	R		
	7143	Item type identification code	an..3	R	*	IN Buyer's item number
	1131	Code list identification code	an..17	N		
	3055	Code list responsible agency code	an..3	R	*	92 Assigned by buyer or buyer's agent
	C212	Item number identification		O		
Article group code (Display content)	7140	Item identifier	an..35	R		
	7143	Item type identification code	an..3	R	*	GN National product group code
	1131	Code list identification code	an..17	N		
	3055	Code list responsible agency code	an..3	R	*	246 GS1 Germany
	C212	Item number identification		O		
Serial number (Display content)	7140	Item identifier	an..35	R		
	7143	Item type identification code	an..3	R	*	SN Serial number
	1131	Code list identification	an..17	N		

Max. Occ. = Maximum Occurrence, St = Status, * = Restricted Codes

Status: M=Mandatory, R=Required, O=Optional, D=Dependent, A=Advised, N=Not used

Segment Layout

2.Detail section - units included in assortment

Business Term	DE	EDIFACT	Format	St	*	Description
		code				
	3055	Code list responsible agency code	an..3	R	*	91 Assigned by supplier or supplier's agent

Segmentstatus: Mandatory to provide suppliers article number, all other information are optional.

This segment is used to specify additional item identification codes such as a buyer's or supplier's item number.

Example: PIA+1+ABC5343:SA: :91+XYZ987:IN: :92+1111:GN: :246+0815:SN: :91'
 Suppliers internal article number ABC5343, Buyers article number XYZ987, Article Group number 1111, Serial number 0815.

Max. Occ. = Maximum Occurrence, St = Status, * = Restricted Codes
 Status: M=Mandatory, R=Required, O=Optional, D=Dependent, A=Advised, N=Not used

Segment Layout

2.Detail section - units included in assortment

No. Seg	St	Max. Occ.				
SG16	O	9999	CPS-SG17-SG22			
SG22	D	9999	LIN-PIA-IMD-QTY-QVR-DTM-FTX-SG28-SG29			
80 PIA	O	1	Additional product id			
To specify additional or substitutional item identification codes.						
Business Term	DE	EDIFACT	Format	St	*	Description
	4347	Product identifier code qualifier	an..3	M	*	1 Additional identification
	C212	Item number identification		M		
Batch number (Display content)	7140	Item identifier	an..35	R		
	7143	Item type identification code	an..3	R	*	NB Batch number
	1131	Code list identification code	an..17	N		
	3055	Code list responsible agency code	an..3	R	*	91 Assigned by supplier or supplier's agent
	C212	Item number identification		O		
Harmonised system (Display content)	7140	Item identifier	an..35	R		
	7143	Item type identification code	an..3	R	*	HS Harmonised system
	1131	Code list identification code	an..17	N		
	3055	Code list responsible agency code	an..3	N		
	C212	Item number identification		O		
Articles promotional variant (Display content)	7140	Item identifier	an..35	R		
	7143	Item type identification code	an..3	R	*	PV Promotional variant number
	1131	Code list identification code	an..17	N		
	3055	Code list responsible agency code	an..3	R	*	9 GS1 91 Assigned by supplier or supplier's agent 92 Assigned by buyer or buyer's agent
Segmentstatus: Optional						
This segment is used if the previous PIA segment can not provide all relevant information.						

Max. Occ. = Maximum Occurrence, St = Status, * = Restricted Codes

Status: M=Mandatory, R=Required, O=Optional, D=Dependent, A=Advised, N=Not used

Segment Layout

2.Detail section - units included in assortment

Example: PIA+1+CH-5343:NB: : 91+XYZ987:HS+4012368259753:PV: :91 '
Batch number, Harmonized system, Promotional variant.

Max. Occ. = Maximum Occurrence, St = Status, * = Restricted Codes
Status: M=Mandatory, R=Required, O=Optional, D=Dependent, A=Advised, N=Not used

Segment Layout

2.Detail section - units included in assortment

No. Seg	St	Max. Occ.				
81	SG16	O 9999	CPS-SG17-SG22			
	SG22	D 9999	LIN-PIA-IMD-QTY-QVR-DTM-FTX-SG28-SG29			
	QTY	R 1	Quantity			
	To specify a pertinent quantity.					
Business Term	DE	EDIFACT	Format	St	*	Description
	C186	Quantity details		M		
	6063	Quantity type code qualifier	an..3	M	*	45E Number of units in higher packaging or configuration level (GS1 Temporary Code)
Quantity content display(s)	6060	Quantity	an..35	M		Note: Use only numeric values.
	6411	Measurement unit code	an..3	D		KGM kilogram LTR litre All code values from EANCOM code list 6411 and UN/ECE Recommendation 20 code list available.
<p>Segmentstatus: Mandatory</p> <p>This segment provides the total number of units contained in all delivered assortments/displays of the current line, i.e. the quantity per display/assortment is multiplied by the number of messaged displays/assortments indicated at (main) line level.</p> <p>DE 6411 is only used, if the article is a variable quantity article. Default value is piece.</p> <p>Example: QTY+45E:12' The display contains 12 consumer units.</p>						

Max. Occ. = Maximum Occurrence, St = Status, * = Restricted Codes
 Status: M=Mandatory, R=Required, O=Optional, D=Dependent, A=Advised, N=Not used

Segment Layout

Summary section
Summary section

No.	Seg	St	Max.	Occ.			
82	CNT	O	1		Control total To provide control total.		
Business Term	DE	EDIFACT	Format	St	*	Description	
	C270	Control		M			
	6069	Control total type code qualifier	an..3	M	*	2 Number of line items in message	
Control information	6066	Control total value	n..18	M			
<p>Segmentstatus: Optional</p> <p>This segment is used to provide message control information for checking on the message receivers in-house system.</p> <p>Example: CNT+2:1' The message contains one line.</p>							

Max. Occ. = Maximum Occurrence, St = Status, * = Restricted Codes
Status: M=Mandatory, R=Required, O=Optional, D=Dependent, A=Advised, N=Not used

Segment Layout

End of message

No. Seg	St	Max. Occ.				
83	UNT	M 1	Message trailer To end and check the completeness of a message.			
Business Term	DE	EDIFACT	Format	St	*	Description
Total number of segments	0074	Number of segments in the message	n..6	M		
	0062	Message reference number	an..14	M		The message reference numbered detailed here should equal the one specified in the UNH segment
<p>Segmentstatus: Mandatory</p> <p>This segment is a mandatory UN/EDIFACT segment. It must always be the last segment in the message.</p> <p>Example: <code>UNT+101+ME000001'</code> The message contains 46 segments</p>						

Max. Occ. = Maximum Occurrence, St = Status, * = Restricted Codes
 Status: M=Mandatory, R=Required, O=Optional, D=Dependent, A=Advised, N=Not used

Segment Layout

No. Seg	St	Max. Occ.				
84	UNZ	M 1	Interchange trailer To end and check the completeness of an interchange.			
Business Term	DE	EDIFACT	Format	St	*	Description
End of the transmission file, Number of messages or message groups	0036	Interchange control count	n..6	M		Number of messages or message groups in the transmission file.
Interchange control reference, end	0020	Interchange control reference	an..14	M		Interchange control reference, identical with UNB DE 0020.
<p>The UNZ segment is the last segment of the transmission file.</p> <p>Note DE 0036: If functional groups are not used, this is the number of messages within the interchange.</p> <p>Example: UNZ+1+4711' The transmission file contains 1 message.</p>						

Max. Occ. = Maximum Occurrence, St = Status, * = Restricted Codes
 Status: M=Mandatory, R=Required, O=Optional, D=Dependent, A=Advised, N=Not used

Used Codes

0001	<p>Syntax identifier Coded identification of the agency controlling a syntax and syntax level used in an interchange.</p> <p>Notes: 1. a3, upper case, Controlling Agency (e.g. UNO=UN/ECE) and a1 stating level (e.g. A) (which together give UNOA).</p>
UNOA	<p>UN/ECE level A As defined in the basic code table of ISO 646 with the exceptions of lower case letters, alternative graphic character allocations and national or application-oriented graphic character allocations.</p>
UNOB	<p>UN/ECE level B As defined in the basic code table of ISO 646 with the exceptions of alternative graphic character allocations and national or application-oriented graphic character allocations.</p>
UNOC	<p>UN/ECE level C As defined in ISO/IEC 8859-1 : Information technology - Part 1: Latin alphabet No. 1.</p>
UNOD	<p>UN/ECE level D As defined in ISO/IEC 8859-2 : Information technology - Part 2: Latin alphabet No. 2.</p>
UNOE	<p>UN/ECE level E As defined in ISO/IEC 8859-5 : Information technology - Part 5: Latin/Cyrillic alphabet.</p>
UNOF	<p>UN/ECE level F As defined in ISO 8859-7 : Information processing - Part 7: Latin/Greek alphabet.</p>
0002	<p>Syntax version number Version number of the syntax identified in the syntax identifier (0001)</p> <p>Notes: 1. Increments 1 for each version.</p>
3	<p>Version 3 ISO 9735 Amendment 1:1992. GS1 Description: Syntax version number 3. This code can be used with all of the character sets (A, B, C, D, E and F).</p>

Used Codes

0007	<p>Partner identification code qualifier Qualifier referring to the source of codes for the identifiers of interchanging partners.</p> <p>Notes: 1. Used with sender/recipient identification code.</p>
14	<p>GS1 Partner identification code assigned by GS1, an international organization of GS1 Member Organizations that manages the GS1 System.</p>
0025	<p>Recipient's reference/password qualifier Qualifier for the recipient's reference or password.</p> <p>Notes: 1. If specified in IA.</p>
AA	<p>Reference Recipient's reference/password is a reference.</p>
BB	<p>Password Recipient's reference/password is a password.</p>
0029	<p>Processing priority code Code determined by the sender requesting processing priority for the interchange.</p> <p>Notes: 1. Used if specified in IA.</p>
A	<p>Highest priority Requested processing priority is the highest.</p>
0031	<p>Acknowledgement request Code determined by the sender for acknowledgement of the interchange.</p> <p>Notes: 1. Set = 1 if sender requests acknowledgement, i.e. UNB and UNZ segments received and identified.</p>
1	<p>Requested Acknowledgement is requested.</p>
0035	<p>Test indicator Indication that the interchange is a test.</p> <p>Notes: 1. Set = 1 if the interchange is a test. Otherwise not used.</p>

Used Codes

1	Interchange is a test Indicates that the interchange is a test.
0051	Controlling agency Code to identify the agency controlling the specification, maintenance and publication of the message type.
UN	UN/CEFACT United Nations Centre for Trade Facilitation and Electronic Business (UN/CEFACT). GS1 Description: UN Economic Commission for Europe (UN/ECE), Committee on the development of trade (TRADE), Working Party on facilitation of international trade procedures (WP.4).
0052	Message version number Version number of a message type. Notes: 1. If UNG/UNE is used, shall be identical in UNG and UNE. The representation of 0052 was specified as n..3 in version 1 of ISO 9735.
D	Draft version/UN/EDIFACT Directory Message approved and issued as a draft message (Valid for directories published after March 1993 and prior to March 1997). Message approved as a standard message (Valid for directories published after March 1997).
0054	Message release number Release number within the current message type version number (0052). Notes: 1. The representation of 0054 was specified as n..3 in version 1 of ISO 9735.
01B	Release 2001 - B Message approved and issued in the second 2001 release of the UNTDID (United Nations Trade Data Interchange Directory).
0057	Association assigned code A code assigned by the association responsible for the design and maintenance of the message type concerned, which further identifies the message.
EAN009	GS1 version control number (GS1 Permanent Code) Indicates that the message is an EANCOM message in version 009.
0065	Message type Code identifying a type of message and assigned by its controlling agency. Notes: 1. Type of message being transmitted.

Used Codes

RECADV	<p>Receiving advice message A code to identify the receiving advice message.</p> <p>GS1 Description: This message is to address the business needs related to the goods receipt. This message is used to report the physical receipt of goods. The message allows for the reporting of discrepancies in products, quantities, terms, packages, etc.</p>
1001	<p>Document name code Code specifying the document name.</p>
632	<p>Goods receipt Document/message to acknowledge the receipt of goods and in addition may indicate receiving conditions.</p> <p>GS1 Description: Message addressing the business needs related to the goods receipt or advising discrepancies between despatched or ordered/planned goods.</p>
1131	<p>Code list identification code Code identifying a user or association maintained code list.</p> <p>Notes: 1. The codes for this data element are provided by the code list responsible agency defined in data element 3055.</p>
23	<p>Clearing house automated payment Self explanatory.</p> <p>Notes: This code value will be removed effective with directory D.04A.</p> <p>GS1 Description: Banking community' automated payment clearing system.</p>
25	<p>Bank identification Code for identification of banks.</p> <p>Notes: This code value will be removed effective with directory D.04A.</p>
106	<p>Incoterms 1980 (4110) Code to indicate applicable Incoterm (1980 edition) under which seller undertakes to deliver merchandise to buyer (ICC). Incoterms 1990: use 4053 only.</p> <p>Notes: This code value will be removed effective with directory D.04A.</p>
132	<p>Charge Identification of a type of charge.</p> <p>Notes: This code value will be removed effective with directory D.04A.</p>

Used Codes

154	<p>Bank branch sorting identification Identification of a specific branch of a bank.</p> <p>Notes: This code value will be removed effective with directory D.04A.</p>
157	<p>Clearing code Identification of the responsible bank/clearing house which has cleared or is ordered to do the clearing.</p> <p>Notes: This code value will be removed effective with directory D.04A.</p>
166	<p>Social security identification Code assigned by the authority competent to issue social security identification to identify a person.</p> <p>Notes: This code value will be removed effective with directory D.04A.</p>
174	<p>Citizen identification Self explanatory.</p> <p>Notes: This code value will be removed effective with directory D.04A.</p> <p>GS1 Description: Code issued by national authority competent to issue citizen identification to identify a person.</p>
1E	<p>Incoterms 1990 (GS1 Temporary Code) Incoterms 1990 as published by the International Chamber of Commerce (ICC).</p>
2E	<p>Incoterms 2000 (GS1 Temporary Code) Incoterms 2000 as published by the International Chamber of Commerce (ICC).</p>
3E	<p>Incoterms 2010 (GS1 Temporary Code) Incoterms 2010 as published by the International Chamber of Commerce (ICC).</p>
ADR	<p>Accord Europeen au transport international dangereuses (GS1 Temporary Code) A European agreement concerning the international carriage of dangerous goods by road.</p>
BR	<p>Brand (GS1 Temporary Code) An identifying mark or label on the products of a particular company, or the kind or make of a commodity.</p>
CA	<p>Category (GS1 Temporary Code) A class or division in a scheme of classification.</p>

Used Codes

CO	Colour (GS1 Temporary Code) Description of the colour required/available on the goods.
FL	Flavor (GS1 Temporary Code) The characteristic quality of goods.
HMT	Hazardous material standard text (GS1 Temporary Code) Code indicating agreed standard text on hazardous materials.
LOC	Location Code (GS1 Temporary Code) This is a code to indicate where the EAS tag is located on the Trade Item. Values include On outside of Trade Item, Concealed inside Trade Item, Integrated Inside Trade Item.
OAG	Organic Claim Agency (GS1 Temporary Code) A governing body that creates and maintain standards related to organic products.
OCO	Organic Trade Item Code (GS1 Temporary Code) Used to indicate the organic status of a trade item or of one or more of its components.
OUM	Ordering unit of measure (GS1 Temporary Code) The alternate Unit of Measure of how Trade Items are ordered by the Retailer under one Unit of Measure, but sold under another Unit of Measure.
SKB	SKRS recommendation (GS1 Temporary Code) SKRS recommendation for standard clothes hanger.
SRN	Service relation number (GS1 Temporary Code) A number used to identify a database entry which records recurring services, e.g., treatment of a patient in a hospital, usage by a member of a library facilities, etc.
ST	Style (GS1 Temporary Code) Specific or characteristic design in any goods.
SUM	Selling unit of measure (GS1 Temporary Code) Describes the measurement used for selling unit of the Trade Item to the end consumer.
SZ	Size (GS1 Temporary Code) Any of a series of graded classifications of measure into which goods are divided.
SZG	Size Group (GS1 Temporary Code) A description of the variable size that is necessary to uniquely specify the size of the item in conjunction with the nonpackaged size dimension.
TYP	Type Code (GS1 Temporary Code) This is a code to indicate the type of EAS tag located on the Trade Item. Values include Acousto-Magnetic, Electro-Magnetic, Ink or dye, Microwave, Radio Frequency.

Used Codes

X11	Diet Allergen (GS1 Temporary Code) Indication of which dietary or allergen marks that are on the package.
X12	Environment (GS1 Temporary Code) Indication of which environmental marks (e.g. recycling schemes) that are on trade item package.
X13	Ethical (GS1 Temporary Code) Indication of which ethical trading marks that are on the package.
X14	Free Form (GS1 Temporary Code) Indication of which free-from marks that are on the package.
X15	Expiration date (GS1 Temporary Code) Indicates the type of expiration date marked on the packaging.
X16	Nesting Direction (GS1 Temporary Code) Depicts the arrangement of two items that nest together specifically whether they nest against each other or on top of each other.
X17	Package Marks Hygienic (GS1 Temporary Code) Indication of which hygiene markings are present in the product package
X18	Hazardous Components are Removable (GS1 Temporary Code) An indicator if any hazardous components contained within the trade item can easily be separated from the other materials to facilitate product recycling.
X19	Trade Item Has Refuse Obligations (GS1 Temporary Code) Indicates if there are special disposal obligations that apply to the trade item for example INTRASTAT.
X20	Trade Item Is Designed for Easy Disassembly (GS1 Temporary Code) Indicates that the trade item is designed for easy disassembly by recycling facilities using standard industry tools.
X21	Trade Item Is Rigid Plastic Packaging Container (GS1 Temporary Code) Indicates that a product is or is contained in a Rigid Plastic Packaging Container (RPPC) as defined by laws in the target market.
X22	Trade Item Is ROHS Compliant (GS1 Temporary Code) Indicates if the product is compliant with the European Union RoHS Directive.
X23	Trade Item Is Universal Waste (GS1 Temporary Code) Indicates if a product can be considered universal waste.
X24	Trade Item Is Consumer Upgradeable Or Maintainable (GS1 Temporary Code) Indicates if a product can be easily upgraded or have parts replaced by the consumer.
X25	Trade Item Contains Short Chain Chlorinated Paraffins (GS1 Temporary Code) Indicate if the trade item and/or its components contain paints, coatings, plastics or other materials containing short chain chlorinated paraffins (SCCPs).

Used Codes

X26	Trade Item Contains Pesticide (GS1 Temporary Code) Indicates if the trade item is advertised or labelled as a chemical or contains a chemical that is advertised or labelled to kill, repel or prevent the growth of any living organism.
X27	Trade Item Contains Propellant (GS1 Temporary Code) Indicates if a trade item contains a compressed gas or propellant.
X28	Trade Item Contains Polyvinyl Chloride (GS1 Temporary Code) Indicate if product contains Polyvinyl Chloride (PVC), a widely used thermoplastic polymer.
X29	Trade Item Chemical Is Not Intended For Human Consumption (GS1 Temporary Code) Indicates that the trade item is or contains a Liquid, Gel, Paste, Powder, or Flammable solid not intended for human consumption (ingested).
X30	ROHS Compliance Failure Material (GS1 Temporary Code) The material used in the trade item that does not comply with the ROHS Directives
X31	Packaging Terms And Condition (GS1 Temporary Code) Indicates if the packaging given in the described packaging configuration is a rented, exchangeable, against deposit or one way/not reusable.
X32	Warranty Effective Date Type (GS1 Temporary Code) The type of date associated with the warranty trade item usually expressed as an event date for the item for example date of purchase, date of manufacture or date of delivery.
X33	Warranty Type (GS1 Temporary Code) Type of warranty available for the part, e.g. labour, distance, extended service.
X35	Warranty Constraint (GS1 Temporary Code) Defines the relationship between different guarantee terms, e.g. "and", "or", "the stronger", "the weaker".
X36	Seasonal Availability End Date (GS1 Temporary Code) Indicates the end date of the trade item's seasonal availability.
X37	Seasonal Availability Start Date (GS1 Temporary Code) Indicates the start date of the trade item's seasonal availability.
X38	Season Calendar Year (GS1 Temporary Code) This element indicates the calendar year in which the trade item is seasonally available.
X39	Season Parameter (GS1 Temporary Code) Indication of the season, in which the trade item is available.
X40	Trade Item Automatic Power Down is Enabled (GS1 Temporary Code) An indicator whether a product is enabled with auto power down feature when shipped to the customer.

Used Codes

X41	Electrical Usage Agency Code (GS1 Temporary Code) The agency that regulates electrical usage for products within a target market.
X42	Nesting Type (GS1 Temporary Code) Depicts whether a nested item fits inside or over the other item in a nesting relationship.
X43	Display Dimension Type Code (GS1 Temporary Code) Depicts certain display scenarios used for measurement.
X44	Manufacturer Has Take Back Program (GS1 Temporary Code) Indicates if the manufacturer of the trade item offers any take back programs to consumers for the product to be reused, remanufactured or recycled by the manufacturer.
X45	Display Resolution (GS1 Temporary Code) The display resolution of a television or computer display.
X46	Orientation Preference Sequence (GS1 Temporary Code) Depicts the preferred sequence of orientation used to communicate the manufacturers relative preferences of orientation.
X47	Orientation Type (GS1 Temporary Code) Depicts via code a display orientation for a trade item.
X48	Electrical Usage Trade Item Classification Code (GS1 Temporary Code) A classification code value from a product classification scheme provided to drive required information for electrical usage.
X49	Electrical Usage Trade Item Classification Name (GS1 Temporary Code) A classification name from a product classification scheme provided to drive required information for electrical usage.
X50	Electrical Usage SubClassification Code (GS1 Temporary Code) A sub-classification code value from a product classification scheme provided to drive required information for electrical usage.
X51	Electrical Usage SubClassification Name (GS1 Temporary Code) A sub-classification name provided to drive required information for electrical usage.
X52	Confirmation Status Code (GS1 Temporary Code) The CIC Confirmation Code must be of a type of code number that can be generated automatically by a computer system.
X53	Confirmation Status Code Description (GS1 Temporary Code) Provides the code description that matches up with the Code that can possibly be generated automatically by a computer system.
X54	Additional Confirmation Status Description (GS1 Temporary Code) Provides a way to communicate human entered information that may not be covered by the machine to machine codes and descriptions.

Used Codes

X55	Corrective Action (GS1 Temporary Code) Provides the corrective action code to fix the issue that caused the problem.
X56	Expected Corrective Information (GS1 Temporary Code) Provides the expected corrective information via a human entered information that may not be covered by the machine to machine codes.
X57	Electrical Usage Trade Item Classification Agency (GS1 Temporary Code) A classification agency or organisation whose product classification scheme is being provided to drive required information for electrical usage.
X58	ASFIS (GS1 Permanent Code) FAO alph-3 code list for fish species identification, commercial name & scientific name.
X59	FAO fishing areas (GS1 Permanent Code) FAO fishing areas codelist.
X60	FAO Fishing gear type (GS1 Permanent Code) FAO Fishing gear type codelist.
X61	EU fish quality (GS1 Permanent Code) EU fish quality grade code list (E, A, B, C).
X62	EU fish size (GS1 Permanent Code) EU fish standardized size code list (1, 2, 3, 4, 5 & One_Size).
X63	EU fish presentation (GS1 Permanent Code) EU fish presentation code list (3 or 5 char alpha code).
ZZZ	Mutually defined Self explanatory. Note : This code value will be removed effective with directory D.04A.
1153	Reference code qualifier Code qualifying a reference.
AAK	Despatch advice number Reference number assigned by issuing party to a despatch advice.
DQ	Delivery note number Reference number assigned by the issuer to a delivery note.
GN	Government reference number A number that identifies a government reference. GS1 Description: This code value should not be used to provide the tax identification number for a party (use code VA).
ON	Order number (buyer) [1022] Reference number assigned by the buyer to an order.

Used Codes

UC	Ultimate customer's reference number The originator's reference number as forwarded in a sequence of parties involved.
XA	Company/place registration number Company registration and place as legally required.
YC1	Additional party identification (GS1 Temporary Code) Reference number to an additional party identification. This number may be the internal trading partner identification number used by a party to identify its trading parties.
EID	Economic operator identifier (EO-ID)
FID	Facility identifier (F-ID)
TAU	Aggregated level unique identifier (aUI)
TUU	Aggregated level unique identifier (upUI)
1225	Message function code Code indicating the function of the message.
9	Original Initial transmission related to a given transaction.
2005	Date or time or period function code qualifier Code qualifying the function of a date, time or period.
36	Expiry date Date of expiry of the validity of a referenced document, price information or any other referenced data element with a limited validity period.
50	Goods receipt date/time Date/time upon which the goods were received by a given party.
137	Document/message date/time (2006) Date/time when a document/message is issued. This may include authentication.
176	Advise completed date/time The advise has been completed at the date indicated.
178	Arrival date/time, actual [2106] Date (and time) of arrival of means of transport.
261	Release date/time Date/time assigned to identify the release of a set of rules, conditions, conventions, productions, etc.
361	Best before date The best before date.

Used Codes

772	Handling start date and/or time, actual The actual date and/or time when the start of the handling action takes place.
774	Handling end date and/or time, actual The actual date and/or time when the end of the handling action takes place.
2379	Date or time or period format code Code specifying the representation of a date, time or period.
2	DDMMYY Calendar date: D = Day; M = Month; Y = Year.
101	YYMMDD Calendar date: Y = Year; M = Month; D = Day.
102	CCYYMMDD Calendar date: C = Century ; Y = Year ; M = Month ; D = Day.
104	MMWW-MMWW A period of time specified by giving the start week of a month followed by the end week of a month. Data is to be transmitted as consecutive characters without hyphen.
107	DDD Day's number within a specific year: D = Day.
108	WW Week's number within a specific year: W = Week.
109	MM Month's number within a specific year: M = Month.
110	DD Day's number within is a specific month.
201	YYMMDDHHMM Calendar date including time without seconds: Y = Year; M = Month; D = Day; H = Hour; M = Minute.
203	CCYYMMDDHHMM Calendar date including time with minutes: C=Century; Y=Year; M=Month; D=Day; H=Hour; M=Minutes.
204	CCYYMMDDHHMMSS Calendar date including time with seconds: C=Century;Y=Year; M=Month; D=Day;H=Hour;M=Minute;S=Second.
401	HHMM Time without seconds: H = Hour; m = Minute.
501	HHMMHHMM Time span without seconds: H = Hour; m = Minute;.

Used Codes

502	HHMMSS-HHMMSS Format of period to be given without hyphen.
602	CCYY Calendar year including century: C = Century; Y = Year.
609	YYMM Month within a calendar year: Y = Year; M = Month.
610	CCYYMM Month within a calendar year: CC = Century; Y = Year; M = Month.
615	YYWW Week within a calendar year: Y = Year; W = Week 1st week of January = week 01.
616	CCYYWW Week within a calendar year: CC = Century; Y = Year; W = Week (1st week of January = week 01).
713	YYMMDDHHMM-YYMMDDHHMM Format of period to be given in actual message without hyphen.
715	YYWW-YYWW A period of time specified by giving the start week of a year followed by the end week of year (both not including century). Data is to be transmitted as consecutive characters without hyphen.
717	YYMMDD-YYMMDD Format of period to be given in actual message without hyphen.
718	CCYYMMDD-CCYYMMDD Format of period to be given without hyphen.
719	CCYYMMDDHHMM-CCYYMMDDHHMM A period of time which includes the century, year, month, day, hour and minute. Format of period to be given in actual message without hyphen.
720	DHHMM-DHHMM Format of period to be given without hyphen (D=day of the week, 1=Monday; 2=Tuesday; ... 7=Sunday).
801	Year To indicate a quantity of years.
802	Month To indicate a quantity of months.
803	Week To indicate a quantity of weeks.
804	Day To indicate a quantity of days.

Used Codes

805	Hour To indicate a quantity of hours.
806	Minute To indicate a quantity of minutes.
810	Trimester To indicate a quantity of trimesters (three months).
811	Half month To indicate a quantity of half months.
21E	DDHHMM-DDHHMM (GS1 Temporary Code) Format of period to be given in actual message without hyphen.
3035	Party function code qualifier Code giving specific meaning to a party.
BY	Buyer Party to whom merchandise and/or service is sold.
DP	Delivery party (3144) Party to which goods should be delivered, if not identical with consignee. GS1 Description: Party to which goods should be delivered, if not the same as the buyer.
FW	Freight forwarder Party arranging forwarding of goods.
IV	Invoicee (3006) Party to whom an invoice is issued.
SU	Supplier Party who supplies goods and/or services. GS1 Description: Party which provides service(s) and/or manufactures or otherwise has possession of goods, and consigns or makes them available in trade.
UC	Ultimate consignee Party who has been designated on the invoice or packing list as the final recipient of the stated merchandise.
3055	Code list responsible agency code Code specifying the agency responsible for a code list.
9	GS1 GS1 (formerly EAN International), an organisation of GS1 Member Organisations, which manages the GS1 System. GS1 Description: GS1 International.

Used Codes

91	Assigned by supplier or supplier's agent Codes assigned by a seller or seller's agent. GS1 Description: Code assigned by the supplier or supplier's agent.
92	Assigned by buyer or buyer's agent Codes assigned by a buyer or buyer's agent.
246	GS1 Germany Organisation responsible for GS1 System in Germany. GS1 Description: German representative of International Article Numbering association (GS1).
3139	Contact function code Code specifying the function of a contact (e.g. department or person).
AA	Insurance contact Department/person to contact for matters regarding insurance.
AD	Accounting contact The contact responsible for accounting matters.
AE	Contract contact Department/person to contact for matters regarding contracts.
AM	Claims contact Department/person to contact for matters regarding claims.
AP	Accounts payable contact Department/person responsible for the accounts payable function within a corporation.
AR	Accounts receivable contact Department/person responsible for the accounts receivable within a corporation.
BC	Banking contact Contact person for bank.
BJ	Department or person responsible for processing purchase order Identification of the department or person responsible for the processing of purchase orders.
BN	Certification contact Code specifying a contact with knowledge of a certification action.
BO	After business hours contact Department/person to contact after normal working hours.
BR	Cook Person responsible for cooking. GS1 Note: Replaces GS1 Temporary Code CKE.

Used Codes

CB	Changed by Person who made the change.
CKE	Cook (GS1 Temporary Code) Person responsible for cooking. GS1 Note: Code marked for deletion. Use value BR instead.
CN	Consignee (3132) Party to which goods are consigned.
CO	Consignor (3336) Party which, by contract with a carrier, consigns or sends goods with the carrier, or has them conveyed by him. Synonym: shipper/sender.
CP	Responsible person for computer data processing Responsible person to contact for matters regarding computer data processing.
CR	Customer relations Individual responsible for customer relations.
DE	Department/employee to execute export procedures Department/employee which/who executes export procedures.
DI	Department/employee to execute import procedures Department/employee which/who executes import procedures.
DL	Delivery contact Department/person responsible for delivery.
ED	Engineering contact Department/person to contact for matters regarding engineering.
GR	Goods receiving contact Department/person responsible for receiving the goods at the place of delivery.
HE	Emergency dangerous goods contact Party who is to be contacted to intervene in case of emergency.
HG	Dangerous goods contact Department/person to be contacted for details about the transportation of dangerous goods/hazardous material.
IC	Information contact Department/person to contact for questions regarding transactions.
LO	Place of collection contact Department/employee to be contacted at the place of collection.
MGR	Manager (GS1 Temporary Code) Person responsible for management within a department or company.
NT	Notification contact Department/employee to be notified.

Used Codes

OC	Order contact An individual to contact for questions regarding this order.
PD	Purchasing contact Department/person responsible for issuing this purchase order.
PM	Product management contact Department/person to contact for questions regarding this order.
QC	Quality coordinator contact Quality coordinator contact within an organization.
SA	Sales administration Name of the sales administration contact within a corporation.
SD	Shipping contact The shipping department contact within an organization.
SR	Sales representative or department The sales representative or department contact within an organization.
TA	Traffic administrator The traffic administrator contact within an organization.
TD	Test contact Department/person responsible for testing contact.
TR	Transport contact Department/person in charge of transportation.
WH	Warehouse The warehouse contact within an organization.
3207	Country name code Identification of the name of the country or other geographical entity as defined in ISO 3166-1. Notes: 1. Use ISO 3166-1 two alpha country code.
DE	GERMANY
4221	Discrepancy nature identification code Code specifying the identification used to define the nature of a discrepancy.
AF	Goods delivered damaged Part or all of the goods in a shipment were delivered damaged.
AG	Delivered too late Delivered but at a later date than the delivery date under the agreed conditions or stipulated in the order.

Used Codes

OS	Item out of stock because of strike of force majeure Item is not available due to strike or an unforeseeable event.
4233	Marking instructions code Code specifying instructions for marking.
1	Do not mark supplier's company name Packaging should not be marked with supplier's company name.
2	Mark customer's company name Packaging should be marked with customer's company name.
3	Mark customer's references Packaging should be marked with customer's references.
4	Mark additionally customer's article description Packaging should also be marked with customer's article description.
5	Mark exclusively customer's article description Packaging should be marked with customer's article description only.
6	Mark packages dimensions Packaging should be marked with package's dimensions.
7	Mark net weight Packaging should be marked with net weight.
8	Mark gross weight Packaging should be marked with gross weight.
9	Mark tare weight Packaging should be marked with tare weight.
10	Mark batch number Packaging should be marked with batch number.
11	Mark article number customer Packaging should be marked with customer's article number.
12	Mark running number of packages Packaging should be marked with the running number of packages.
13	Mark date of production Packaging should be marked with the date of production.
14	Mark expiry date Packaging should be marked with the expiry date.
15	Mark supplier number Packaging should be marked with the supplier number.
16	Buyer's instructions Markings as specified by the buyer.

Used Codes

17	Supplier's instructions Markings as specified by the seller. GS1 Description: Markings as specified by the supplier.
18	Carrier's instructions Markings as specified by carrier.
19	Legal requirements Markings as specified by law.
20	Industry instructions Markings as specified by industry.
30	Mark serial shipping container code Requests the marking of the serial shipping container code to the transport container or packaging.
32	Mark date of packaging Packaging must be marked with the packaging date. GS1 Note: Replaces GS1 Temporary Code 41E.
33	Mark reference to source entity Packaging must be marked with the reference to source entity. The reference to source identifies that the trade item was derived from.
34	Marked GS1 Global Individual Asset Identifier Indication that the GS1 Global Individual Asset Identifier has been marked on the package. GS1 Note: Replaces GS1 Temporary Code 42G.
35	Marked with a product serial number Indication that the product serial number has been marked on a package.
38	Marked price Indication that the price has been marked on a package. GS1 Note: Replaces GS1 Temporary Code 31E.
39	Marked with Serial Shipping Container Code (SSCC) Indication that the Serial Shipping Container Code has been marked on a package. GS1 Note: Replaces GS1 Temporary Code 33E.
40	Marked with first freezing date Indication that the first freezing date has been marked on the package. GS1 Note: Replaces GS1 Temporary Code 35E.
41	Marked with batch number Indication that the batch number has been marked on a package. GS1 Note: Replaces GS1 Temporary Code 36E.
42	Marked with production date Indication that the production date has been marked on a package. GS1 Note: Replaces GS1 Temporary Code 37E.

Used Codes

43	<p>Marked with expiry date</p> <p>Indication that the expiry date has been marked on a package. GS1 Note: Replaces GS1 Temporary Code 38E.</p>
44	<p>Marked with best before date</p> <p>Indication that the best before date has been marked on a package. GS1 Note: Replaces GS1 Temporary Code 39E.</p>
45	<p>Marked net weight</p> <p>Indication that the net weight has been marked on a package. GS1 Note: Replaces GS1 Temporary Code 40E.</p>
46	<p>Marked with packaging date</p> <p>Indication that the packaging date has been marked on a package. GS1 Note: Replaces GS1 Temporary Code 41E.</p>
47	<p>Marked with GS1 Global Returnable Asset Identifier (GRAI)</p> <p>Indication that the GS1 Global Returnable Asset Identifier (GRAI) has been marked on the package. GS1 Note: Replaces GS1 Temporary Code 41G.</p>
48	<p>Marked with a greeting message</p> <p>Indication that the package has been marked with a greeting message. GS1 Note: Replaces GS1 Temporary Code X27.</p>
49	<p>Price per unit of measure marked on product</p> <p>The price per unit of measure is marked on trade item</p>
31E	<p>Mark price (GS1 Temporary Code)</p> <p>Coded instruction that the price be marked on a package. GS1 Note: Code marked for deletion. Use value 38 instead.</p>
32E	<p>Mark GS1 number (GS1 Temporary Code)</p> <p>Coded instruction that the GS1 number be marked on a package.</p>
33E	<p>Marked with serial shipping container code (GS1 Temporary Code)</p> <p>Indication that the serial shipping container code has been marked on a package. GS1 Note: Code marked for deletion. Use value 39 instead.</p>
34E	<p>Marked with GS1 number (GS1 Temporary Code)</p> <p>Indication that the GS1 number has been marked on a package.</p>
35E	<p>Marked with first freezing date (GS1 Temporary Code)</p> <p>Indication that the first freezing date has been marked on the package. GS1 Note: Code marked for deletion. Use value 40 instead.</p>
36E	<p>Marked with batch number (GS1 Temporary Code)</p> <p>Indication that the batch number has been marked on a package. GS1 Note: Code marked for deletion. Use value 41 instead.</p>

Used Codes

37E	Marked with production/manufacturing date (GS1 Temporary Code) Indication that the production/manufacturing date has been marked on a package. GS1 Note: Code marked for deletion. Use value 42 instead.
38E	Marked with expiry date (GS1 Temporary Code) Indication that the expiry date has been marked on a package. GS1 Note: Code marked for deletion. Use value 43 instead.
39E	Marked with best before date (GS1 Temporary Code) Indication that the best before date has been marked on a package. GS1 Note: Code marked for deletion. Use value 44 instead.
40E	Marked with unit net weight (GS1 Temporary Code) Indication that the net unit weight has been marked on a package. GS1 Note: Code marked for deletion. Use value 45 instead.
41E	Marked with packaging date (GS1 Temporary Code) Indication that the packaging date has been marked on a package. GS1 Note: Code marked for deletion. Use value 46 instead.
41G	Marked with GS1 Global Returnable Asset Identifier (GS1 Temporary Code) Indication that the GS1 Global Returnable Asset Identifier has been marked on the package. GS1 Note: Code marked for deletion. Use value 47 instead.
IEN	Package Identity Number (GS1 Temporary Code) Number uniquely identifying a package.
X26	Not marked with an GS1 code (GS1 Temporary Code) Indication that the package is not marked with an GS1 code.
X27	Marked with a greeting message (GS1 Temporary Code) Package should be marked with greeting message GS1 Note: Code marked for deletion. Use value 48 instead.
X28	GINC (GS1 Temporary Code) Global Identification Number for Consignment
X29	GSIN (GS1 Temporary Code) Global Shipment Identification Number
X3	Marked with use by date (GS1 Temporary Code) Indication that the use by date has been marked on a package.
4295	Change reason description code Code specifying the reason for a change.
AA	Member attribute change An attribute of a member of a group has changed.
AC	Member category change The member or benefits category has changed.

Used Codes

AJT	Adjustment (GS1 Temporary Code) Code indicating that an adjustment has taken place.
AQ	Alternate quantity and unit of measurement Change is due to an alternate quantity and unit of measurement. GS1 Description: Code indicating an alternate quantity and unit of measure than that was previously agreed.
AR	Article out of assortment for particular company Item normally part of a suppliers standard assortment but is unavailable for a specific buyer due to legal or commercial reasons.
ARP	Article to be published (GS1 Temporary Code) The article has to be published.
AS	Article out of assortment Article normally part of a standard assortment is unavailable.
AT	Item not ordered Code indicating the item or product was not ordered.
AU	No delivery due to outstanding payments Delivery of an item was stopped due to outstanding deliveries which have not yet been paid.
AUE	Article code unknown (GS1 Temporary Code) Item identification code (GTIN article number) is unknown. GS1 Note: Code marked for deletion. Use value BJ instead.
AV	Out of inventory Item is out of inventory.
AY	Sale location different Sold in a different sales location. GS1 Description: The reason for a different price is a different sale location and a different type of sale location, for example, a duty paid shop or a duty free shop.
BA	Damaged Goods CA change resulting from damaged goods. EDIFACT
BB	Transport means technical failure Transport means had a technical failure, e.g. transport means could not be unloaded or did not comply with hygienic requirements.
BC	Equipment technical failure Equipment had a technical failure, e.g. equipment was damaged or wrong.
BE	Goods technical failure Goods had a technical failure, e.g. instability, overhang, transportation lock or damage.

Used Codes

BF	Spoilage of goods A change resulting from the spoilage of goods.
BG	Grade difference out of tolerance level The change is due to a variation in the grade of the product outside the tolerance level allowed in an agreement.
BH	Batch number difference The batch number printed on the product received is different to the batch number specified in the despatch advice message.
BI	Expiry date difference The expiry date printed on the product received is different from the expiry date specified in the despatch advice message. GS1 Note: Replaces GS1 Temporary Code X40.
BJ	Item identification code unknown The item identification code is unknown. GS1 Note: Replaces GS1 Temporary Code AUE.
BK	Barcode not readable Barcode is not readable by a barcode scanning device. GS1 Note: Replaces GS1 Temporary Code BN_OLD.
BL	Item represents substitution from original order Code indicating the item or product is a substitute of the item or product originally ordered. GS1 Note: Replaces GS1 Temporary Code IS.
BM	Minimum/maximum product durability date unacceptable Code indicating that the minimum durability date (e.g. best before date) and/or maximum durability date (e.g. expiry date) of a product are not acceptable. GS1 Note: Replaces GS1 Temporary Code PE.
BN	Temperature outside agreed range The temperature is or has been outside the agreed range. GS1 Note: Replaces GS1 Temporary Code X32.
BN_OLD	Bar code not readable (GS1 Temporary Code) Bar code is not readable for some reason (e.g. poor print quality) by a bar code scanning device. GS1 Note: Code marked for deletion. Use value BK instead.
BO	Delivered but not advised Shipment or goods have been delivered without any advance notification of delivery. GS1 Note: Replaces GS1 Temporary Code X33.
BP	Short shipped The quantity of goods received is smaller than advised. GS1 Note: Replaces GS1 Temporary Code X34.

Used Codes

BR	Item withdrawn The item has been withdrawn. GS1 Note: Replaces GS1 Temporary Code X35.
BS	SSCC difference The logistic unit is identified by another Serial Shipping Container Code (SSCC) than the one announced in the despatch advice. GS1 Note: Replaces GS1 Temporary Code X37.
BT	SSCC missing The logistic unit is missing its Serial Shipping Container code (SSCC). GS1 Note: Replaces GS1 Temporary Code X38.
BU	Best before date(s) difference The best before date(s) deviate(s) from those announced in the despatch advice. GS1 Note: Replaces GS1 Temporary Code X39.
BV	Weight difference More or less weight was received than announced in the despatch advice. GS1 Note: Replaces GS1 Temporary Code X41.
BW	Quantity difference More or less units were received than announced in the despatch advice.
BX	Delivered too late Delivered but at a later date than the delivery date under the agreed conditions or stipulated in the preceding message. GS1 Note: Replaces GS1 Temporary Code X43.
IS	Item represents substitution from original order (GS1 Temporary Code) Code indicating the item or product is a substitute of the item or product originally ordered. GS1 Note: Code marked for deletion. Use value BL instead.
PC	Pack difference Self-explanatory. GS1 Description: The packaging of the product has changed.
PE	Minimum/maximum product durability date unacceptable (GS1 Temporary Code) Code indicating that the minimum durability date (e.g. best before date) or maximum durability date (e.g. expiry date) of a product are not acceptable. GS1 Note: Code marked for deletion. Use value BM instead.
PS	Product/services ID change The product/services identification has changed.
QT	Quantity price break The quantity price break has changed. GS1 Description: Additional quantity shipped to meet special discount conditions.

Used Codes

UM	Unit of measure difference The change is due to a difference in the unit of measure. GS1 Description: The unit of measure for the product shipped is different to the unit of measure for the product ordered.
WQ	Over shipped A shipped quantity greater than the ordered or invoiced quantity.
WR	Temporarily unavailable Product is temporarily unavailable.
WT	Excluded from the promotion activity Product is not included in the promotion activity.
WU	Committed purchase quantity exceeded The committed purchase quantity has been exceeded.
WV	Committed purchase quantity not ordered The committed purchase quantity has not been ordered.
X29	Government price charge (GS1 Temporary Code) Reason for price charge is due to government action.
X32	Receipt temperature outside agreed range (GS1 Temporary Code) The temperature at which the goods are received is outside the agreed range. GS1 Note: Code marked for deletion. Use value BN instead.
X33	Delivered but not advised (GS1 Temporary Code) Shipment or goods have been delivered without any advance notification of delivery. GS1 Note: Code marked for deletion. Use value BO instead.
X34	Missing (GS1 Temporary Code) The quantity of goods received is smaller than advised. GS1 Note: Code marked for deletion. Use value BP instead.
X35	Article withdrawn (GS1 Temporary Code) The article has been withdrawn GS1 Note: Code marked for deletion. Use value BR instead.
X36	Best before date out of chronological order (GS1 Temporary Code) Goods have a best before date which is out of chronological order.
X37	Wrong SSCC (GS1 Temporary Code) The logistic unit is identified by another SSCC than the one announced in the despatch advice. GS1 Note: Code marked for deletion. Use value BS instead.
X38	SSCC missing (GS1 Temporary Code) The logistic unit is missing its SSCC. GS1 Note: Code marked for deletion. Use value BT instead.

Used Codes

X39	Wrong best before date(s) (GS1 Temporary Code) The best before date(s) deviates from the one announced in the despatch advice. GS1 Note: Code marked for deletion. Use value BU instead.
X40	Wrong expiry date(s) (GS1 Temporary Code) The expiry date(s) deviates from the one announced in the despatch advice. GS1 Note: Code marked for deletion. Use value BI instead.
X41	Different weight (GS1 Temporary Code) More or less weight was received than expected with regard of what was announced in the despatch advice. GS1 Note: Code marked for deletion. Use value BV instead.
X42	Over-shipped (GS1 Temporary Code) An excess quantity of goods was received in a shipment with regard of what was expected in the despatch advice. GS1 Note: Code marked for deletion. Use value WQ instead.
X43	Delivered too late (GS1 Temporary Code) Delivered but at a later date than the delivery date under the agreed conditions or stipulated in the preceding message GS1 Note: Code marked for deletion. Use value BX instead.
X44	GS1 bar code label missing (GS1 Temporary Code) The GS1 bar code label is missing

4347

Product identifier code qualifier
Code qualifying the product identifier.

1	Additional identification Information which specifies and qualifies product identifications.
5	Product identification The item number is for product identification.

5495

Sub-line indicator code
Code indicating a sub-line item.

1	Sub-line information Code indicating a sub-line item.
---	--

6063

Quantity type code qualifier
Code qualifying the type of quantity.

1	Discrete quantity Individually separated and distinct quantity.
3	Cumulative quantity Quantity accumulated.

Used Codes

11	Split quantity Part of the whole quantity.
12	Despatch quantity Quantity despatched by the seller.
17	Quantity on hand The total quantity of a product on hand at a location. This includes as well units awaiting return to manufacturer, units unavailable due to inspection procedures and undamaged stock available for despatch, resale or use. GS1 Description: Quantity on hand including damaged and committed stock.
18	Previous quantity Quantity previously referenced.
21	Ordered quantity The quantity which has been ordered.
23	Active ingredient Quantity at 100% active agent content.
26	Promotion quantity A quantity associated with a promotional event.
27	On hold for shipment Article received which cannot be shipped in its present form.
28	Military sales quantity Quantity of goods or services sold to a military organization.
29	On premises sales Sale of product in restaurants or bars.
30	Off premises sales Sale of product directly to a store.
40	Normal delivery Quantity normally delivered by the seller.
42	Maximum supply quantity, supplier endorsed Maximum supply quantity endorsed by a supplier.
46	Delivered quantity Number of pieces actually received at the final destination. GS1 Description: Quantity actually delivered to the final destination.
47	Invoiced quantity The quantity as per invoice.
48	Received quantity The quantity which has been received.

Used Codes

52	Quantity per pack Quantity for each pack. GS1 Description: The quantity contained in the currently identified pack.
53	Minimum order quantity Minimum quantity of goods for an order. GS1 Description: The smallest number of units of a product which may be ordered.
54	Maximum order quantity Maximum quantity of goods for an order. GS1 Description: The largest number of units of a product which may be ordered.
57	In transit quantity A quantity that is en route.
58	Quantity withdrawn Quantity withdrawn from a location.
59	Number of consumer units in the traded unit Number of units for consumer sales in a unit for trading. GS1 Description: The number of consumer units (package size of a product agreed between trading partners as the unit crossing the retail point of sale) in a traded unit to be ordered, delivered and invoiced.
60	Current inventory quantity available for shipment Current inventory quantity available for shipment.
61	Return quantity Quantity of goods returned.
65	Destroyed quantity Quantity of goods destroyed. GS1 Description: Quantity of a product which will be/has been destroyed because of damage or freshness loss.
66	Committed quantity Quantity a party is committed to.
73	Outstanding quantity Difference between quantity ordered and quantity received.
74	Latest cumulative quantity Cumulative quantity after complete delivery of all scheduled quantities of the product.
79	Previous cumulative quantity Cumulative quantity prior the actual order.

Used Codes

81	Extra unplanned delivery Non scheduled additional quantity.
83	Backorder quantity The quantity of goods that is on back-order. GS1 Description: Quantity of a product for backorder purposes.
89	Quality control held Quantity of goods held pending completion of a quality control assessment.
92	Final delivery quantity Quantity of final delivery to a respective order.
96	Quality control failed Quantity of goods which have failed quality control.
97	Minimum inventory Minimum stock quantity on which replenishment is based.
98	Maximum inventory Maximum stock quantity on which replenishment is based.
99	Estimated quantity Quantity estimated. GS1 Description: An estimation of stock quantity.
100	Chargeable weight The weight on which charges are based.
101	Chargeable gross weight The gross weight on which charges are based.
109	Chargeable volume The volume on which charges are based.
110	Chargeable cubic measurements The cubic measurements on which charges are based.
113	Quantity to be delivered The quantity to be delivered.
119	Short shipped Indication that part of the consignment was not shipped.
121	Over shipped Indication that more goods have been shipped than contracted for delivery. GS1 Description: The overshipped quantity is the difference between the quantity shipped and the quantity contracted for delivery.

Used Codes

124	Damaged goods Quantity of goods which have deteriorated in transport such that they cannot be used for the purpose for which they were originally intended.
128	Quantity loaded Quantity of goods loaded onto a means of transport.
129	Units per unit price Number of units per unit price.
130	Allowance Quantity relevant for allowance.
131	Delivery quantity Quantity required by buyer to be delivered.
135	Period quantity, planned Quantity planned for this period.
145	Actual stock The stock on hand, undamaged, and available for despatch, sale or use.
146	Model or target stock The stock quantity required or planned to have on hand, undamaged and available for use.
152	Consignment stock Quantity of goods with an external customer which is still the property of the supplier.
153	Statistical sales quantity Quantity of goods sold in a specified period.
156	Inventory movement quantity To specify the quantity of an inventory movement.
157	Opening stock balance quantity To specify the quantity of an opening stock balance.
158	Closing stock balance quantity To specify the quantity of a closing stock balance.
164	Delivery batch Quantity of the referenced item which constitutes a standard batch for deliver purposes.
170	Allocated quantity Quantity of the referenced item allocated from available stock for delivery.
191	Adjustment to inventory quantity An adjustment to inventory quantity.
192	Free goods quantity Quantity of goods which are free of charge.

Used Codes

193	Free quantity included Quantity included to which no charge is applicable. GS1 Description: Free quantity included.
194	Received and accepted Quantity which has been received and accepted at a given location.
195	Received, not accepted, to be returned Quantity which has been received but not accepted at a given location and which will consequently be returned to the relevant party.
196	Received, not accepted, to be destroyed Quantity which has been received but not accepted at a given location and which will consequently be destroyed.
197	Reordering level Quantity at which an order may be triggered to replenish.
198	Quantity in transit Quantity which is currently in transit. Notes: This code value will be removed effective with directory D.04A.
199	Inventory withdrawal quantity Quantity which has been withdrawn from inventory since the last inventory report.
200	Free quantity not included Free quantity not included in ordered quantity.
205	Publication Turn Size The quantity of magazines or newspapers grouped together with the spine facing alternate directions in a bundle. EDIFACT
209	Additional replenishment demand quantity Incremental needs over and above normal replenishment calculations, but not intended to permanently change the model parameters.
210	Returned by consumer quantity Quantity returned by a consumer. GS1 Description: Quantity of product returned by the consumer to the place/party of sale.
211	Replenishment override quantity Quantity to override the normal replenishment model calculations, but not intended to permanently change the model parameters.
212	Quantity sold, net Net quantity sold which includes returns of saleable inventory and other adjustments.

Used Codes

217	Out of inventory quantity Quantity of inventory which was requested but was not available.
243	Reserved quantity customer direct delivery sales Quantity of products reserved for sales delivered direct to the customer.
244	Reserved quantity retail sales Quantity of products reserved for retail sales.
246	Returns replacement quantity A quantity of goods issued as a replacement for a returned quantity.
247	Additional promotion sales forecast quantity A forecast of additional quantity which will be sold during a period of promotional activity.
248	Reserved quantity Quantity reserved for specific purposes.
249	Quantity displayed not available for sale Quantity displayed within a retail outlet but not available for sale.
250	Inventory discrepancy The difference recorded between theoretical and physical inventory.
251	Incremental order quantity The incremental quantity by which ordering is carried out.
252	Quantity requiring manipulation before despatch A quantity of goods which needs manipulation before despatch.
253	Quantity in quarantine A quantity of goods which are held in a restricted area for quarantine purposes.
255	Quantity not available for despatch A quantity of goods not available for despatch.
256	Quantity awaiting delivery Quantity of goods which are awaiting delivery.
257	Quantity in physical inventory A quantity of goods held in physical inventory.
258	Quantity held by logistic service provider Quantity of goods under the control of a logistic service provider.
264	Equipment quantity A count of a quantity of equipment.
266	Unsold quantity held by wholesaler Unsold quantity held by the wholesaler.

Used Codes

267	Quantity held by delivery vehicle Quantity of goods held by the delivery vehicle.
268	Quantity held by retail outlet Quantity held by the retail outlet.
269	Rejected return quantity A quantity for return which has been rejected.
392	Supplier estimated previous meter reading Previous meter reading estimated by the supplier.
393	Supplier estimated latest meter reading Latest meter reading estimated by the supplier.
394	Customer estimated previous meter reading Previous meter reading estimated by the customer.
395	Customer estimated latest meter reading Latest meter reading estimated by the customer.
396	Supplier previous meter reading Previous meter reading done by the supplier.
397	Supplier latest meter reading Latest meter reading recorded by the supplier.
399	File size before compression The size of a file before compression.
400	File size after compression The size of a file after compression.
426	Production requirements Quantity needed to meet production requirements.
440	Number of quantitative incentive scheme units Number of units allocated to a quantitative incentive scheme.
444	Return to warehouse A quantity of products sent back to the warehouse.
445	Return to the manufacturer A quantity of products sent back from the manufacturer.
447	Quantity moved between outlets The quantity of magazines or newspapers grouped together with the spine facing alternate directions in a bundle. EDIFACT
452	En route to warehouse quantity A quantity of products that is en route to a warehouse. EDIFACT

Used Codes

453	En route from warehouse quantity A quantity of products that is en route from a warehouse. EDIFACT
454	Quantity ordered but not yet allocated from stock A quantity of products which has been ordered but which has not yet been allocated from stock. EDIFACT
455	Not yet ordered quantity The quantity which has not yet been ordered. EDIFACT
457	Maximum number of units per shelf Maximum number of units of a product that can be placed on a shelf. EDIFACT
466	Advised but not arrived Goods are advised by the consignor or supplier, but have not yet arrived at the destination.
467	Received but not available Goods have been received in the arrival area but are not yet available.
468	Goods blocked for transshipment process Goods are physically present, but can not be ordered because they are scheduled for a transshipment process.
469	Goods blocked for cross docking process Goods are physically present, but can not be ordered because they are scheduled for a cross docking process.
471	Number of packages for a set Number of packages used to pack the individual items in a grouping of merchandise that is sold together as a single trade item.
472	Number of items in a set The number of individual items in a grouping of merchandise that is sold together as a single trade item.
473	Order sizing factor A trade item specification other than gross, net weight, or volume for a trade item or a transaction, used for order sizing and pricing purposes.
474	Number of different next lower level trade items Value indicates the number of different next lower level trade items contained in a complex trade item.
475	Agreed maximum buying quantity The agreed maximum quantity of the trade item that may be purchased.
476	Agreed minimum buying quantity The agreed minimum quantity of the trade item that may be purchased.

Used Codes

477	Free quantity of next lower level trade item The numeric quantity of free items in a combination pack. The unit of measure used for the free quantity of the next lower level must be the same as the unit of measure of the Net Content of the Child Trade Item.
503	Quantity to be checked Quantity which must be checked and confirmed by the partner.
504	Number of wash loads Number of wash loads or washing machine runs possible per item. EDIFACT
505	Goods in transit not responsibility of party reporting Stock quantity which is not yet under the responsibility of the party reporting the stocks but which is in transit, i.e. not yet in physical possession. GS1 Note: Replaces GS1 Temporary Code 19E.
506	Goods in transit responsibility of party reporting Stock quantity under the responsibility of the party reporting the stocks but which is in transit, i.e. not yet in physical possession. GS1 Note: Replaces GS1 Temporary Code 20E.
507	Free quantity basis A code indicating the basis for a free quantity, e.g. 1 piece free for every 12 purchased, 12 is the basis. GS1 Note: Replaces GS1 Temporary Code 22E.
508	Forecast quantity A quantity used for forecasting purposes. GS1 Note: Replaces GS1 Temporary Code 26E.
509	Sales forecast quantity A quantity of goods used for sales forecasting purposes. GS1 Note: Replaces GS1 Temporary Code 38E.
510	Minimum invoicing quantity Minimum quantity of goods which may be invoiced according to agreed conditions. GS1 Note: Replaces GS1 Temporary Code 39E.
511	Quantity tested Number of items used for testing purposes. GS1 Note: Replaces GS1 Temporary Code 40E.
512	Must buy product quantity in multi-buy promotion Number of products which must be bought in order to qualify for a multi-buy promotion. GS1 Note: Replaces GS1 Temporary Code 44E.
530	Requested promotion quantity out of stock The quantity of promotional goods that was requested but out of stock.

Used Codes

531	Ordered promotion quantity awaiting despatch The quantity of promotional goods that has been ordered and not yet despatched.
532	Unprocessed confirmed sales order The quantity of goods of the confirmed sales order which has not been processed.
533	Unprocessed confirmed sales order promotional quantity The quantity of promotional goods of confirmed sales order which has not been processed.
17E	Number of units in lower packaging or configuration level (GS1 Temporary Code) The number of units contained in lower packaging or configuration level.
19E	Goods in transit not responsibility of party reporting (GS1 Temporary Code) Stock quantity which is not yet under the responsibility of the party reporting the stocks but which is in transit, i.e. not yet in physical possession. GS1 Note: Code marked for deletion. Use value 505 instead.
20E	Goods in transit already responsibility of party reporting (GS1 Temporary Code) Stock quantity already under the responsibility of the party reporting the stocks but which is in transit, i.e. not yet in physical possession. GS1 Note: Code marked for deletion. Use value 506 instead.
22E	Free quantity basis (GS1 Temporary Code) A code indicating the basis for a free quantity, e.g. 1 piece free for every 12 purchased, 12 is the basis. GS1 Note: Code marked for deletion. Use value 507 instead.
26E	Forecast quantity (GS1 Temporary Code) A quantity used for forecasting purposes other than sales forecasting, e.g. manufacturing forecast. GS1 Note: Code marked for deletion. Use value 508 instead.
31E	Promotional stock (GS1 Temporary Code) A quantity of stock reserved for promotional activities.
32E	Consolidated discount stock (GS1 Temporary Code) Additional stock which is greater than the stocks actually ordered which have been supplied in bulk at favourable terms.
38E	Forecast sales quantity (GS1 Temporary Code) A quantity of goods used for sales forecasting purposes. GS1 Note: Code marked for deletion. Use value 509 instead.
39E	Minimum invoicing quantity (GS1 Temporary Code) Minimum quantity of goods which may be invoiced according to agreed conditions. GS1 Note: Code marked for deletion. Use value 510 instead.

Used Codes

40E	Quantity tested (GS1 Temporary Code) A quantity of an item used for testing purposes. GS1 Note: Code marked for deletion. Use value 511 instead.
44E	Multi-buy promotion quantity (GS1 Temporary Code) A quantity of a product included in a multi-buy promotion which must be purchased in order to qualify for the multi-buy promotion. GS1 Note: Code marked for deletion. Use value 512 instead.
45E	Number of units in higher packaging or configuration level (GS1 Temporary Code) The number of units contained in higher packaging or configuration level.
48E	Quantity blocked by owner of goods (GS1 Temporary Code) A quantity of goods, held by a third party, which has been blocked following an instruction by the owner of the goods. These goods must not be used except with the express permission of the owner of the goods.
61E	Available for despatch (GS1 Temporary Code) Quantity of goods which are available to despatch. (Note: This figure is arrived by calculating the sum of 145+256).
62E	Rate of conversion (GS1 Temporary Code) Rate by which the measured unit must be multiplied to calculate the actual units used.
63E	Maximum number of deliveries (GS1 Temporary Code) Maximum number of deliveries allowed during a defined period of time at a specified activity, e.g. a promotion.
71E	Quantity prepared for despatch (GS1 Temporary Code) Quantity which is prepared for despatch.
72E	Average number of units in lower packaging or configuration level (GS1 Temporary Code) The average number of units in lower packaging or configuration level.
75E	Optional quantity (GS1 Temporary Code) Quantity which is optional.
80E	Quantity in customs bond (GS1 Temporary Code) Quantity of goods held in customs bond.
81E	Quantity settling (GS1 Temporary Code) A quantity of product which is settling before it can be used.
82E	Outstanding promotion products quantity (GS1 Temporary Code) The difference between a quantity ordered and a quantity received of a promotion product. This code should only be used where a promotional agreement covering prices and/or quantities exists between the buyer and the supplier.

Used Codes

83E	Promotion quantity ordered to the supplier but not yet received (GS1 Temporary Code) A quantity of promotion products which has been ordered but which is not yet been received at the delivery point. This code should only be used where a promotional agreement covering prices and/or quantities exists between the buyer and the supplier.
84E	Movements out of promotion inventory (GS1 Temporary Code) The quantity which has moved out of promotion inventory. This code should only be used where a promotional agreement covering prices and/or quantities exists between the buyer and the supplier.
85E	Movements into promotion inventory (GS1 Temporary Code) The quantity which has been received into the promotion inventory.
86E	Out of inventory promotion quantity (GS1 Temporary Code) Promotion quantity of inventory which was requested but was not available.
87E	Ordered promotions quantity but awaiting despatch (GS1 Temporary Code) A promotions quantity of goods which have been ordered but are awaiting delivery.
88E	Reserved inventory promotion quantity (GS1 Temporary Code) Promotion quantity for the reserved inventory.
89E	Additional promotions replenishment demand quantity (GS1 Temporary Code) Incremental promotion needs over and above normal replenishment calculations, but not intended to permanently change the model parameters.
90E	Back order promotion quantity (GS1 Temporary Code) The promotion quantity which has been ordered, but not delivered.
91E	Promotional ordered quantity (GS1 Temporary Code) Quantity of ordered product related to a promotion.
92E	Produced quantity (GS1 Temporary Code) The quantity which has been produced.
93E	Extraordinary sale (GS1 Temporary Code) Sales which will not be included in the calculation of replenishment requirements, e.g. sales to staff, to sport clubs, etc.
X11	Incentive unit basis (GS1 Temporary Code) Unit basis used to calculate quantitative incentive schemes.
X20	Reserved quantity, provisional (GS1 Temporary Code) A quantity of stock provisionally reserved prior to a formal decision.
X22	Consignment stock, available on ordering (GS1 Temporary Code) A quantity of products in consignment stock which become available to the buyer when they have been ordered.

Used Codes

X23	Consignment stock, available on agreement (GS1 Temporary Code) A quantity of products in consignment stock which become available to the buyer after an agreement has been reached.
X24	Consignment stock, available at due date (GS1 Temporary Code) A quantity of products in consignment stock which become available to the buyer at a scheduled due date.
6069	Control total type code qualifier Code qualifying the type of control of hash total.
2	Number of line items in message Self-explanatory. GS1 Description: The total number of LIN segments in a message.
6411	Measurement unit code Code specifying the unit of measurement. Notes: 1. Recommend use UN/ECE Recommendation 20, Common code.
001	Barrel (205 litres, 45 gallons) (GS1 Temporary Code) A unit of liquids equivalent to 205 litres or 45 gallons.
23	gram per cubic centimetre GS1 Description: g/cm ³ as a unit of measure for the density of gas. This is necessary for dangerous substance articles for determination of the quantities that can be stored together on the shelf.
25	gram per square centimetre GS1 Description: A measure of weight in terms of gram per square centimetre.
28	kilogram per square metre GS1 Description: Unit of measure expressed in kilogram per square metre.
37	ounce per square foot
59	part per million
64	Pound per square inch, gauge A unit of measure expressed in pound per square inch
2N	decibel
2X	metre per minute GS1 Description: A measure of speed in terms of metres per minute.
4K	milliampere

Used Codes

4L	megabyte GS1 Description: A unit of computer memory equal to 1.048.576 (i.e. 2 power 20) bytes.
4O	microfarad GS1 Description: One millionth of a farad. A farad is the capacitance of a capacitor between the plates of which a potential of 1 volt is created by a charge of 1 Coulomb.
4P	newton per metre
A25	cheval vapeur
A86	gigahertz GS1 Description: Hertz multiplied by 10*9.
A99	Bit A unit of information equal to one binary digit.
ACR	acre GS1 Description: Acre (4840 yd ²)
AD	byte GS1 Description: A unit of information stored in a computer, equal to eight bits.
AMH	ampere hour GS1 Description: Ampere-hour (3,6kC)
AMP	ampere
AMT	amount
ANN	year GS1 Description: The expression of a year as a measure unit.
APZ	Troy ounce or apothecary ounce EDIFACT
ASM	alcoholic strength by mass GS1 Description: Alcoholic strength expressed by mass.
ASU	alcoholic strength by volume GS1 Description: Alcoholic strength expressed by volume.
AV	capsule GS1 Description: Encapsuled dosage form for pharmaceuticals.
B13	Joule per square metre A unit of measure of heat energy expressed in joule per square metre.

Used Codes

B17	Credit A unit of count defining the number of entries made to the credit side of an account.
BAR	bar GS1 Description: A unit of measure equal to 106 dines per square centimeter.
BTU	British thermal unit GS1 Description: British thermal unit (1,055 kilojoules)
C0	call GS1 Description: Unit of measure for telephone calls. Code value is C0 (C Zero).
C60	ohm centimetre GS1 Description: Unit of measure expressed in Ohm centimetre.
C79	Kilovolt Ampere Hour A unit of accumulated energy of 1000 volt amperes over a period of one hour. EDIFACT
CDL	candela GS1 Description: Unit of measure of light intensity.
CEL	degree celsius
CF2	Colony forming unit per gram (GS1 Temporary Code) Colony forming units per gram is a unit of measure for micro-organisms, such as bacteria, in a food item. Micro-organisms form colonies that are be counted under determined conditions
CLT	centilitre GS1 Description: A unit of volume equal to one hundredth of a liter.
CMK	square centimetre
CMQ	cubic centimetre GS1 Description: A system of units for the measurement of volume based on the cubic centimetre.
CMT	centimetre
D19	Square metre kelvin per watt Unit of measure of thermal insulance expressed in square metre kelvin per watt.
D21	square metre per kilogram GS1 Description: Unit of measure expressed in square metre per kilogram.
D32	Terawatt hour A unit of measure expressed in terawatt hour

Used Codes

D5	Kilogram per square centimetre A unit of measure expressed in kilogram per square centimetre
D55	Watt per square metre kelvin Unit of measure of thermal conductance expressed in watt per square metre kelvin.
D68	Number of Words A unit of count defining the number of words. EDIFACT
DAY	day GS1 Description: The expression of a day as a measure unit.
DD	degree GS1 Description: Unit of measure of temperature.
DMQ	cubic decimetre GS1 Description: Unit of measure expressed in cubic decimetre.
DMT	decimetre
DRG	Dragée (GS1 Temporary Code) Number of dragées (coated tablets) contained in the item's package as a measurement unit.
DZN	dozen GS1 Description: A unit of measure of 12 or group of 12.
E09	Milliampere hour A unit of power load delivered at the rate of one thousandth of an ampere over a period of one hour. EDIFACT
E10	Degree day A unit of measure used in meteorology and engineering to measure the demand for heating or cooling over a given period of days. EDIFACT
E11	Gigacalorie A unit of heat energy equal to one thousand million calories. EDIFACT
E27	Dose A unit of count defining the number of doses (dose: a definite quantity of a medicine or drug). EDIFACT
E31	Square metre per litre A unit of count defining the number of square metres per litre. EDIFACT

Used Codes

E32	Litre per hour A unit of count defining the number of litres per hour. EDIFACT
E34	Gigabyte A unit of information equal to 10 E9 bytes.
E37	Pixel A unit of count defining the number of pixels (pixel: picture element).
E38	Megapixel A unit of count equal to 10 E6 (1000000) pixels (picture elements).
E39	Dots per inch A unit of information defining the number of dots per linear inch as a measure of the resolution or sharpness of an image. GS1 Description: synonym: pixels per inch.
EA	each
EV	envelope GS1 Description: A unit of measure pertaining to the number of envelopes.
FAH	degree Fahrenheit
FOT	foot GS1 Description: Foot (0,3048 m)
FP	Pound per square foot A unit of measure expressed in pound per square foot
FTK	Square foot A unit of measure expressed in square foot
FTQ	cubic foot
GL	gram per litre
GLI	gallon (UK) GS1 Description: Gallon (4,546092 dm ³)
GM	gram per square metre GS1 Description: Unit of measure of grams per square metre.
GRM	gram
GRO	gross GS1 Description: A unit of measure of 12 dozens.
GV	gigajoule

Used Codes

GWH	gigawatt hour GS1 Description: Gigawatt-hour (1 million kW/h)
H87	Piece A unit of count defining the number of pieces (piece: a single item, article or exemplar). EDIFACT
HLT	hectolitre
HMT	hectometre A unit of linear measure equal to 10 E2 metres.
HTZ	hertz GS1 Description: One cycle per second.
HUR	hour
INH	inch GS1 Description: Inch (25,4 mm)
INK	Square inch A unit of measure expressed in square inch
JM	Megajoule per cubic metre EDIFACT
JOU	joule
K51	Kilocalorie (mean) EDIFACT
KB	kilocharacter
KBA	kilobar
KEL	kelvin
KGM	kilogram
KHZ	kilohertz
KJO	kilojoule
KL	kilogram per metre GS1 Description: A measure of weight in terms of kilogram per metre.
KMH	kilometre per hour GS1 Description: A unit of measure expressed in kilometre per hour.
KMQ	kilogram per cubic metre GS1 Description: A measure of weight in terms of kilogram per cubic metre.
KMT	kilometre

Used Codes

KPA	kilopascal GS1 Description: Unit of measure expressed in kilopascal.
KVA	kilovolt - ampere GS1 Description: A unit of electric power.
KVT	kilovolt
KWH	kilowatt hour
KWT	kilowatt
L2	litre per minute GS1 Description: Unit of measure expressed in litre per minute.
LBR	Pound EDIFACT
LD	Litre per day A unit of measure defining the number of litres per day.
LNE	Printed line count (GS1 Temporary Code) The indication of the count of printed lines included on a paper communication (e.g. telegram) for invoicing purposes.
LTR	litre GS1 Description: Litre (1 dm ³)
LUX	lux GS1 Description: Unit of measure of illumination (it corresponds to the illumination of a surface which normally and uniformly receives a light flow of 1 lumen per square meter).
M4	Monetary value A unit of measure expressed as a monetary amount. EDIFACT
MAL	mega litre
MAW	megawatt
MC	microgram One millionth of a gram.
MCU	millicurie GS1 Description: Unit of measure for radioactivity.
MGM	milligram
MHZ	megahertz
MIN	minute
MLT	millilitre

Used Codes

MMK	square millimetre GS1 Description: A unit to measure a surface equal to one millionth of a quadrate.
MMQ	cubic millimetre GS1 Description: A unit of measure expressed in cubic milimetres.
MMT	millimetre
MON	month GS1 Description: The expression of a month as a measure unit.
MPA	megapascal GS1 Description: A unit of measure expressed in Megapascal.
MQH	Cubic metre per hour A unit of measure defining the number of cubic metres per hour.
MTK	square metre
MTQ	cubic metre
MTR	metre
MTS	Metre per second A unit of speed expressed in metres per second.
MWH	megawatt hour (1000 kW.h)
NAR	number of articles
NEW	newton GS1 Description: The SI unit of force, equal to the force that would give a mass of one kilogram an acceleration of one metre per second.
NIU	number of international units A unit of count defining the number of international units.
NRL	number of rolls
ONZ	ounce GS1 Description: Ounce GB, US (28,349523 g)
OZA	fluid ounce (US) GS1 Description: Fluid ounce US (29,5735 cm ³)
OZI	fluid ounce (UK) GS1 Description: Fluid ounce UK (28,413 cm ³)
P1	percent GS1 Description: This code is used to indicate measurements in terms of percentages, e.g. the relative humidity (code RA in data element 6313) is 52%.

Used Codes

PA	packet
PAL	pascal GS1 Description: The SI unit of pressure, equal to one Newton per square metre.
PCE	Piece (GS1 Temporary Code) GS1 Note: Old code value. Use value H87 instead.
PF	pallet (lift) GS1 Description: A number of articles expressed in terms of pallets.
PR	pair GS1 Description: Two articles which belong together but are not necessarily identical.
PTI	pint (UK) GS1 Description: Pint UK (0,568262 dm3)
PTN	Portion (GS1 Temporary Code) The identification of the number of portions (doses in medical terms) into which a complete product may be broken into for serving purposes, e.g. a pie with 6 portions, a liquid medicine with 20 doses.
QAN	quarter (of a year)
QTI	quart (UK) GS1 Description: Quart UK (1,1136523 dm3)
RJH	Decanewton (GS1 Temporary Code) A unit of force equal to 10 Newton.
RPM	revolutions per minute
RTO	Ratio (GS1 Temporary Code) The measured value is a ratio.
SEC	second
SMI	Mile (statute mile) A unit of measure expressed in mile
ST	sheet
TNE	tonne (metric ton) GS1 Description: Metric ton (1000kg)
U2	tablet A unit of count defining the number of tablets (tablet: a small flat or compressed solid object). GS1 Description: Dosage form for pharmaceuticals, pressed or compacted from a powder into a solid dose.

Used Codes

UI	Unit of activity, predefined (GS1 Temporary Code) A measure pertaining to a predefined activity.
VI	vial GS1 Description: Small glass container. E.g. for a liquid medicine or perfume.
VLT	volt
WHR	watt hour
WTT	watt
YDK	Square yard A unit of measure expressed in square yard
YRD	yard GS1 Description: Yard (0,9144 m)
ZP	page GS1 Description: The indication of a page as a measurement unit for invoicing purposes, e.g. fax pages.
7065	Package type description code Code specifying the type of package. Notes: 1. Recommend use UN/ECE Recommendation No. 21 (also, see current volume of UNTDED).
43	Bag, super bulk
44	Bag, polybag A type of plastic bag, typically used to wrap promotional pieces, publications, product samples, and/or catalogues.
1A	Drum, steel
1B	Drum, aluminium
1D	Drum, plywood
1F	Container, flexible A packaging container of flexible construction.
1G	Drum, fibre
1W	Drum, wooden
2C	Barrel, wooden
3A	Jerrican, steel
3H	Jerrican, plastic
4A	Box, steel

Used Codes

4B	Box, aluminium
4C	Box, natural wood
4D	Box, plywood
4F	Box, reconstituted wood
4G	Box, fibreboard
4H	Box, plastic
5H	Bag, woven plastic
5L	Bag, textile
5M	Bag, paper
6H	Composite packaging, plastic receptacle
6P	Composite packaging, glass receptacle
7A	Case, car A type of portable container designed to store equipment for carriage in an automobile.
7B	Case, wooden A case made of wood for retaining substances or articles.
8A	Pallet, wooden A platform or open-ended box, made of wood, on which goods are retained for ease of mechanical handling during transport and storage.
8B	Crate, wooden A receptacle, made of wood, on which goods are retained for ease of mechanical handling during transport and storage.
8C	Bundle, wooden Loose or unpacked pieces of wood tied or wrapped together.
AA	Intermediate bulk container, rigid plastic
AB	Receptacle, fibre
AC	Receptacle, paper
AD	Receptacle, wooden
AE	Aerosol
AF	Pallet, modular, collars 80cms × 60cms
AG	Pallet, shrinkwrapped
AH	Pallet, 100cms × 110cms
AI	Clamshell
AJ	Cone

Used Codes

AL	Ball A spherical containment vessel for retaining substances or articles.
AM	Ampoule, non-protected
AP	Ampoule, protected
AT	Atomizer
AV	Capsule
B4	Belt A band use to retain multiple articles together.
BA	Barrel
BB	Bobbin
BC	Bottlecrate / bottlerack
BD	Board
BE	Bundle
BF	Balloon, non-protected
BG	Bag
BH	Bunch
BI	Bin
BJ	Bucket
BK	Basket
BL	Bale, compressed
BM	Basin
BN	Bale, non-compressed
BO	Bottle, non-protected, cylindrical
BP	Balloon, protected
BQ	Bottle, protected cylindrical
BR	Bar
BS	Bottle, non-protected, bulbous
BT	Bolt
BU	Butt
BV	Bottle, protected bulbous
BW	Box, for liquids
BX	Box
BY	Board, in bundle/bunch/truss
BZ	Bars, in bundle/bunch/truss

Used Codes

CA	Can, rectangular
CB	Crate, beer
CC	Churn
CD	Can, with handle and spout
CE	Creel
CF	Coffer
CG	Cage
CH	Chest
CI	Canister
CJ	Coffin
CK	Cask
CL	Coil
CM	Card
CN	Container, not otherwise specified as transport equipment
CO	Carboy, non-protected
CP	Carboy, protected
CQ	Cartridge
CR	Crate
CS	Case
CT	Carton
CU	Cup
CV	Cover
CW	Cage, roll
CX	Can, cylindrical
CY	Cylinder
CZ	Canvas
DA	Crate, multiple layer, plastic
DB	Crate, multiple layer, wooden
DC	Crate, multiple layer, cardboard
DG	Cage, Commonwealth Handling Equipment Pool (CHEP)
DH	Box, Commonwealth Handling Equipment Pool (CHEP), Eurobox
DI	Drum, iron
DJ	Demijohn, non-protected

Used Codes

DK	Crate, bulk, cardboard
DL	Crate, bulk, plastic
DM	Crate, bulk, wooden
DN	Dispenser
DP	Demijohn, protected
DR	Drum
DS	Tray, one layer no cover, plastic
DT	Tray, one layer no cover, wooden
DU	Tray, one layer no cover, polystyrene
DV	Tray, one layer no cover, cardboard
DW	Tray, two layers no cover, plastic tray
DX	Tray, two layers no cover, wooden
DY	Tray, two layers no cover, cardboard
EC	Bag, plastic
ED	Case, with pallet base
EE	Case, with pallet base, wooden
EF	Case, with pallet base, cardboard
EG	Case, with pallet base, plastic
EH	Case, with pallet base, metal
EI	Case, isothermic
EN	Envelope
FB	Flexibag A flexible containment bag made of plastic, typically for the transportation bulk non-hazardous cargoes using standard size shipping containers.
FC	Crate, fruit
FD	Crate, framed
FE	Flexitank A flexible containment tank made of plastic, typically for the transportation bulk non-hazardous cargoes using standard size shipping containers.
FI	Firkin
FL	Flask
FO	Footlocker
FP	Filmpack
FR	Frame

Used Codes

FT	Foodtainer
FW	Cart, flatbed Wheeled flat bedded device on which trays or other regular shaped items are packed for transportation purposes.
FX	Bag, flexible container
GB	Bottle, gas
GI	Girder
GL	Container, gallon A container with a capacity of one gallon.
GR	Receptacle, glass
GU	Tray, containing horizontally stacked flat items Tray containing flat items stacked on top of one another.
GY	Bag, gunny A sack made of gunny or burlap, used for transporting coarse commodities, such as grains, potatoes, and other agricultural products.
GZ	Girders, in bundle/bunch/truss
HA	Basket, with handle, plastic
HB	Basket, with handle, wooden
HC	Basket, with handle, cardboard
HG	Hogshead
HN	Hanger A purpose shaped device with a hook at the top for hanging items from a rail.
HR	Hamper
IA	Package, display, wooden
IB	Package, display, cardboard
IC	Package, display, plastic
ID	Package, display, metal
IE	Package, show
IF	Package, flow
IG	Package, paper wrapped
IH	Drum, plastic
IK	Package, cardboard, with bottle grip-holes
IL	Tray, rigid, lidded stackable (CEN TS 14482:2002) Lidded stackable rigid tray compliant with CEN TS 14482:2002.
IN	Ingot

Used Codes

IZ	Ingots, in bundle/bunch/truss
JB	Bag, jumbo A flexible containment bag, widely used for storage, transportation and handling of powder, flake or granular materials. Typically constructed from woven polypropylene (PP) fabric in the form of cubic bags.
JC	Jerrican, rectangular
JG	Jug
JR	Jar
JT	Jutebag
JY	Jerrican, cylindrical
KG	Keg
KI	Kit A set of articles or implements used for a specific purpose.
LE	Luggage A collection of bags, cases and/or containers which hold personal belongings for a journey.
LG	Log
LT	Lot
LU	Lug A wooden box for the transportation and storage of fruit or vegetables.
LV	Liftvan
LZ	Logs, in bundle/bunch/truss
MA	Crate, metal Containment box made of metal for retaining substances or articles.
MB	Bag, multiply
MC	Crate, milk
ME	Container, metal A type of containment box made of metal for retaining substances or articles, not otherwise specified as transport equipment.
MR	Receptacle, metal
MS	Sack, multi-wall
MT	Mat
MW	Receptacle, plastic wrapped
MX	Matchbox
NA	Not available
NE	Unpacked or unpackaged

Used Codes

NF	Unpacked or unpackaged, single unit
NG	Unpacked or unpackaged, multiple units
NS	Nest
NT	Net
NU	Net, tube, plastic
NV	Net, tube, textile
O1	Two sided cage on wheels with fixing strap A two sided cage mounted on wheels with fixing strap. Dimensions: 900 x 770 x 1513 cm (length x width x height).
O2	Trolley A low cart for the transportation and storage of groceries, milk, etc.
O3	Oneway pallet ISO 0 - 1/2 EURO Pallet Oneway pallet with dimensions 80 X 60 cm.
O4	Oneway pallet ISO 1 - 1/1 EURO Pallet Oneway pallet with dimensions 80 X 120 cm.
O5	Oneway pallet ISO 2 - 2/1 EURO Pallet Oneway pallet with dimensions 100 X 120 cm.
O6	Pallet with exceptional dimensions Pallet with non-standard dimensions.
OA	Pallet, CHEP 40 cm x 60 cm CHEP standard pallet of dimensions 40 centimeters x 60 centimeters.
OB	Pallet, CHEP 80 cm x 120 cm CHEP standard pallet of dimensions 80 centimeters x 120 centimeters.
OC	Pallet, CHEP 100 cm x 120 cm CHEP standard pallet of dimensions 100 centimeters x 120 centimeters.
OD	Pallet, AS 4068-1993 Australian standard pallet of dimensions 115.5 centimeters x 116.5 centimeters.
OE	Pallet, ISO T11 ISO standard pallet of dimensions 110 centimeters x 110 centimeters, prevalent in Asia - Pacific region.
OF	Platform, unspecified weight or dimension A pallet equivalent shipping platform of unknown dimensions or unknown weight.
OG	Pallet ISO 0 - 1/2 EURO Pallet Standard pallet with dimensions 80 X 60 cm.

Used Codes

OH	Pallet ISO 1 - 1/1 EURO Pallet Standard pallet with dimensions 80 X 120 cm.
OI	Pallet ISO 2 - 2/1 EURO Pallet Standard pallet with dimensions 100 X 120 cm.
OJ	1/4 EURO Pallet Standard pallet with dimensions 60 X 40 cm.
OK	Block A solid piece of a hard substance, such as granite, having one or more flat sides.
OL	1/8 EURO Pallet Standard pallet with dimensions 40 X 30 cm.
OM	Synthetic pallet ISO 1 A standard pallet with standard dimensions 80 x 120cm made of a synthetic material for hygienic reasons.
ON	Synthetic pallet ISO 2 A standard pallet with standard dimensions 100 x 120cm made of a synthetic material for hygienic reasons.
OP	Wholesaler pallet Pallet provided by the wholesaler.
OQ	Pallet 80 X 100 cm Pallet with dimensions 80 X 100 cm.
OR	Pallet 60 X 100 cm Pallet with dimensions 60 X 100 cm.
OS	Oneway pallet Pallet need not be returned to the point of expedition.
OT	Octabin A standard cardboard container of large dimensions for storing for example vegetables, granules of plastics or other dry products.
OU	Container, outer A type of containment box that serves as the outer shipping container, not otherwise specified as transport equipment.
OV	Returnable pallet Pallet must be returned to the point of expedition.
OW	Large bag, pallet sized A non-rigid container made of fabric, paper, plastic, etc, with an opening at the top which can be closed and which is suitable for use on pallets.
OX	A wheeled pallet with raised rim (81 x 67 x 135) A wheeled pallet with raised rim for the storing and transporting of loads. Dimensions: 81 x 67 x 135 cm (length x width x height).

Used Codes

OY	A wheeled pallet with raised rim (81 x 72 x 135) A wheeled pallet with raised rim for the storing and transporting of loads. Dimensions: 81 x 72 x 135 cm (length x width x height).
OZ	A wheeled pallet with raised rim (81 x 60 x 16) A wheeled pallet with raised rim for the storing and transporting of loads. Dimensions: 81 x 60 x 16 cm (length x width x height).
P2	Pan A shallow, wide, open container, usually of metal.
PA	Packet
PB	Pallet, box
PC	Parcel
PD	Pallet, modular, collars 80cms * 100cms
PE	Pallet, modular, collars 80cms * 120cms
PF	Pen
PG	Plate
PH	Pitcher
PI	Pipe
PJ	Punnet
PK	Package
PL	Pail
PN	Plank
PO	Pouch
PP	Piece A loose or unpacked article.
PR	Receptacle, plastic
PT	Pot
PU	Tray pack
PV	Pipes, in bundle/bunch/truss
PX	Pallet
PY	Plates, in bundle/bunch/truss
PZ	Planks, in bundle/bunch/truss
QA	Drum, steel, non-removable head
QB	Drum, steel, removable head
QC	Drum, aluminium, non-removable head
QD	Drum, aluminium, removable head

Used Codes

QF	Drum, plastic, non-removable head
QG	Drum, plastic, removable head
QH	Barrel, wooden, bung type
QJ	Barrel, wooden, removable head
QK	Jerrican, steel, non-removable head
QL	Jerrican, steel, removable head
QM	Jerrican, plastic, non-removable head
QN	Jerrican, plastic, removable head
QP	Box, wooden, natural wood, ordinary
QQ	Box, wooden, natural wood, with sift proof walls
QR	Box, plastic, expanded
QS	Box, plastic, solid
RD	Rod
RG	Ring
RJ	Rack, clothing hanger
RK	Rack
RL	Reel
RO	Roll
RT	Rednet
RZ	Rods, in bundle/bunch/truss
SA	Sack
SB	Slab
SC	Crate, shallow
SD	Spindle
SE	Sea-chest
SH	Sachet
SI	Skid
SK	Case, skeleton
SL	Slipsheet
SM	Sheetmetal
SO	Spool
SP	Sheet, plastic wrapping
SS	Case, steel

Used Codes

ST	Sheet
SU	Suitcase
SV	Envelope, steel
SW	Shrinkwrapped
SY	Sleeve
SZ	Sheets, in bundle/bunch/truss
T1	Tablet A loose or unpacked article in the form of a bar, block or piece.
TB	Tub
TC	Tea-chest
TD	Tube, collapsible
TE	Tyre A ring made of rubber and/or metal surrounding a wheel.
TG	Tank container, generic A specially constructed container for transporting liquids and gases in bulk.
TI	Tierce TI
TK	Tank, rectangular
TL	Tub, with lid
TN	Tin
TO	Tun
TR	Trunk
TS	Truss
TT	Bag, tote A capacious bag or basket.
TU	Tube
TV	Tube, with nozzle
TW	Pallet, triwall A lightweight pallet made from heavy duty corrugated board.
TY	Tank, cylindrical
TZ	Tubes, in bundle/bunch/truss
UC	Uncaged
UN	Unit A type of package composed of a single item or object, not otherwise specified as a unit of transport equipment.
VA	Vat

Used Codes

VG	Bulk, gas (at 1031 mbar and 15 degree C)
VI	Vial
VK	Vanpack
VL	Bulk, liquid
VN	Vehicle A self-propelled means of conveyance.
VO	Bulk, solid, large particles ("nodules")
VP	Vacuum-packed
VQ	Bulk, liquefied gas (at abnormal temperature/pressure)
VR	Bulk, solid, granular particles ("grains")
VS	Bulk, scrap metal Loose or unpacked scrap metal transported in bulk form.
VY	Bulk, solid, fine particles ("powders")
WA	Intermediate bulk container
WB	Wickerbottle
WC	Intermediate bulk container, steel
WD	Intermediate bulk container, aluminium
WF	Intermediate bulk container, metal
WG	Intermediate bulk container, steel, pressurised > 10 kpa
WH	Intermediate bulk container, aluminium, pressurised > 10 kpa
WJ	Intermediate bulk container, metal, pressure 10 kpa
WK	Intermediate bulk container, steel, liquid
WL	Intermediate bulk container, aluminium, liquid
WM	Intermediate bulk container, metal, liquid
WN	Intermediate bulk container, woven plastic, without coat/liner
WP	Intermediate bulk container, woven plastic, coated
WQ	Intermediate bulk container, woven plastic, with liner
WR	Intermediate bulk container, woven plastic, coated and liner
WS	Intermediate bulk container, plastic film
WT	Intermediate bulk container, textile with out coat/liner
WU	Intermediate bulk container, natural wood, with inner liner
WV	Intermediate bulk container, textile, coated
WW	Intermediate bulk container, textile, with liner
WX	Intermediate bulk container, textile, coated and liner

Used Codes

WY	Intermediate bulk container, plywood, with inner liner
WZ	Intermediate bulk container, reconstituted wood, with inner liner
XA	Bag, woven plastic, without inner coat/liner
XB	Bag, woven plastic, sift proof
XC	Bag, woven plastic, water resistant
XD	Bag, plastics film
XF	Bag, textile, without inner coat/liner
XG	Bag, textile, sift proof
XH	Bag, textile, water resistant
XJ	Bag, paper, multi-wall
XK	Bag, paper, multi-wall, water resistant
YA	Composite packaging, plastic receptacle in steel drum
YB	Composite packaging, plastic receptacle in steel crate box
YC	Composite packaging, plastic receptacle in aluminium drum
YD	Composite packaging, plastic receptacle in aluminium crate
YF	Composite packaging, plastic receptacle in wooden box
YG	Composite packaging, plastic receptacle in plywood drum
YH	Composite packaging, plastic receptacle in plywood box
YJ	Composite packaging, plastic receptacle in fibre drum
YK	Composite packaging, plastic receptacle in fibreboard box
YL	Composite packaging, plastic receptacle in plastic drum
YM	Composite packaging, plastic receptacle in solid plastic box
YN	Composite packaging, glass receptacle in steel drum
YP	Composite packaging, glass receptacle in steel crate box
YQ	Composite packaging, glass receptacle in aluminium drum
YR	Composite packaging, glass receptacle in aluminium crate
YS	Composite packaging, glass receptacle in wooden box
YT	Composite packaging, glass receptacle in plywood drum
YV	Composite packaging, glass receptacle in wickerwork hamper
YW	Composite packaging, glass receptacle in fibre drum
YX	Composite packaging, glass receptacle in fibreboard box
YY	Composite packaging, glass receptacle in expandable plastic pack
YZ	Composite packaging, glass receptacle in solid plastic pack

Used Codes

ZA	Intermediate bulk container, paper, multi-wall
ZB	Bag, large
ZC	Intermediate bulk container, paper, multi-wall, water resistant
ZD	Intermediate bulk container, rigid plastic, with structural equipment, solids
ZF	Intermediate bulk container, rigid plastic, freestanding, solids
ZG	Intermediate bulk container, rigid plastic, with structural equipment, pressurised
ZH	Intermediate bulk container, rigid plastic, freestanding, pressurised
ZJ	Intermediate bulk container, rigid plastic, with structural equipment, liquids
ZK	Intermediate bulk container, rigid plastic, freestanding, liquids
ZL	Intermediate bulk container, composite, rigid plastic, solids
ZM	Intermediate bulk container, composite, flexible plastic, solids
ZN	Intermediate bulk container, composite, rigid plastic, pressurised
ZP	Intermediate bulk container, composite, flexible plastic, pressurised
ZQ	Intermediate bulk container, composite, rigid plastic, liquids
ZR	Intermediate bulk container, composite, flexible plastic, liquids
ZS	Intermediate bulk container, composite
ZT	Intermediate bulk container, fibreboard
ZU	Intermediate bulk container, flexible
ZV	Intermediate bulk container, metal, other than steel
ZW	Intermediate bulk container, natural wood
ZX	Intermediate bulk container, plywood
ZY	Intermediate bulk container, reconstituted wood
ZZ	Mutually defined
08	Oneway pallet (GS1 Temporary Code) Pallet need not be returned to the point of expedition.
09	Returnable pallet (GS1 Temporary Code) Pallet must be returned to the point of expedition.
200	Pallet ISO 0 - 1/2 EURO Pallet (GS1 Temporary Code) Standard pallet with dimensions 80 X 60 cm.
201	Pallet ISO 1 - 1/1 EURO Pallet (GS1 Temporary Code) Standard pallet with dimensions 80 X 120 cm.
202	Pallet ISO 2 (GS1 Temporary Code) Standard pallet with dimensions 100 X 120 cm.

Used Codes

203	1/4 EURO Pallet (GS1 Temporary Code) Standard pallet with dimensions 60 X 40 cm.
204	1/8 EURO Pallet (GS1 Temporary Code) Standard pallet with dimensions 40 X 30 cm.
205	Synthetic pallet ISO 1 (GS1 Temporary Code) A standard pallet with standard dimensions 80*120cm made of a synthetic material for hygienic reasons.
206	Synthetic pallet ISO 2 (GS1 Temporary Code) A standard pallet with standard dimensions 100*120cm made of a synthetic material for hygienic reasons.
210	Wholesaler pallet (GS1 Temporary Code) Pallet provided by the wholesaler.
211	Pallet 80 X 100 cm (GS1 Temporary Code) Pallet with dimensions 80 X 100 cm.
212	Pallet 60 X 100 cm (GS1 Temporary Code) Pallet with dimensions 60 X 100 cm.
AH	Pallet 100cms * 110cms Standard sized pallet of dimensions 100centimeters by 110 centimeters (cms). EDIFACT
AI	Clamshell EDIFACT
APE	Aluminium packed (GS1 Temporary Code) Packaging using thin sheets of aluminium.
BGE	Large bag, pallet sized (GS1 Temporary Code) A non-rigid container made of fabric, paper, plastic, etc, with an opening at the top which can be closed and which is suitable for use on pallets.
BME	Blister pack (GS1 Temporary Code) A transparent strip package of pressable plastic which allows the product to be displayed while remaining protected.
BRI	Brick (GS1 Temporary Code) A box made of a cardboard, plastic or metal, used for liquids.
CBL	Container bottle like (GS1 Temporary Code) A non-protected, non-cylindrical, container with a narrow neck made usually of glass or plastic which is especially used for liquids, e.g. perfume bottle.
CCE	Cardboard carrier (GS1 Temporary Code) A package made of cardboard.
CM	Card A flat package usually made of fibreboard from/to which the product is often hung or attached. EDIFACT

Used Codes

E1	Performance meat container E1 (GS1 Temporary Code) Standard performance meat container with dimensions 60 X 40 X 12,5 cm.
E2	Performance meat container E2 (GS1 Temporary Code) Standard performance meat container with dimensions 60 X 40 X 20 cm.
E3	Performance meat container E3 (GS1 Temporary Code) Standard performance meat container with dimensions 60 X 40 X 30 cm.
FOB	Folding box (GS1 Temporary Code) Folded cardboard box e.g for products like frozen vegetables, paper clips
FPE	Foil packed (GS1 Temporary Code) Packaging using a metallic foil.
LAB	Labeled package (GS1 Temporary Code) The package is labeled. Usually the label identifies the name, brand or description of the product within the package.
MPE	Multipack (GS1 Temporary Code) A container for the merchandising of multiple units of the same product.
OPE	Oxygen packed (GS1 Temporary Code) A package with oxygen added for storage purposes.
PAE	Paper (GS1 Temporary Code) An indication that the item(s) is packed in paper.
PJ	Punnet EDIFACT
PLP	Peel pack (GS1 Temporary Code) A package used for sterile products which may be torn open without touching the product inside.
POP	Cone shaped paper wrapper (GS1 Temporary Code) Cone shaped paper wrapping e.g. for an individually packed ice cream cone.
PPE	Polypropylene bag (GS1 Temporary Code) A bag made from polypropylene.
PUE	Tray packed in plastic (GS1 Temporary Code) A board with a ring packed in plastic carrying for small articles.
RB3	Wheeled pallet with raised rim. 81 x 60 x 16 cm (length x width x height). (GS1 Temporary Code) A wheeled pallet with raised rim for the storing and transporting of loads. Dimensions: 81 x 60 x 16 cm (length x width x height).
RCB	Two sided cage on wheels with fixing strap (GS1 Temporary Code) 900 x 770 x 1513 cm (length x width x height) A two sided cage mounted on wheels with fixing strap. Dimensions: 900 x 770 x 1513 cm (length x width x height).

Used Codes

S1	GS1 SMART-Box Type E (GS1 Temporary Code) Standard reusable crate with dimensions 60 x 40 x 21,1 cm.
SEC	Article Surveillance (GS1 Temporary Code) Equipped with article surveillance.
SO	Spool Any cylindrical piece on which something is wound.
SP	Sheet, plastic wrapping EDIFACT
STL	Stick (GS1 Temporary Code) A container for dispensing solid substances, e.g. glue, deodorant.
T1	Tablet A loose or unpacked article in the form of a bar, block or piece. EDIFACT
TEV	Tamper evident package (GS1 Temporary Code) A type of package giving easy or immediate recognition that the package has been tampered with after it has been sealed.
THE	Three pack (GS1 Temporary Code) A package containing three products.
TL	Tub, with lid EDIFACT
TRE	Trolley (GS1 Temporary Code) A low cart for the transportation and storage of groceries, milk, etc.
TTE	Tube, standing (GS1 Temporary Code) A screw-topped pliable cylinder capable of standing and suitable for holding pastes or semi-liquids, e.g. a tube of toothpaste.
TWE	Two pack (GS1 Temporary Code) A package containing two products.
UUE	Tube net (GS1 Temporary Code) A plastic or textile tube suitable for carrying loose products, e.g. fruit.
UVQ	Wrapped in plastic sheet (GS1 Temporary Code) An indication that the items have been wrapped in plastic sheet.
WRP	Wrapper (GS1 Temporary Code) Wrapping e.g. for an individually packed ice cream.
X11	Banded package (GS1 Temporary Code) A package with bands, usually metal or nylon, round it to hold the products together.
X15	Oneway pallet ISO 0 - 1/2 EURO Pallet (GS1 Temporary Code) Oneway pallet with dimensions 80 X 60 cm.

Used Codes

X16	Oneway pallet ISO 1 - 1/1 EURO Pallet (GS1 Temporary Code) Oneway pallet with dimensions 80 X 120 cm.
X17	Non-standard pallett (GS1 Temporary Code) Non-Standard pallett
X18	Parcel with exceptional dimensions (GS1 Temporary Code) Parcel with non-standard dimensions.
X3	Standard stack of stones (GS1 Temporary Code) Standard stack of stones.
7073	Packaging terms and conditions code Code specifying the packaging terms and conditions.
1	Packaging cost paid by supplier The cost of packaging is paid by the supplier.
2	Packaging cost paid by recipient The cost of packaging is paid by the recipient.
3	Packaging cost not charged (returnable) There is no charge for packaging because it is returnable.
24	Rented The package has been, or will be, rented. EDIFACT
25	Safe return deposit A deposit paid to guarantee the safe return of the package.
26	Not reusable The package is not reusable. GS1 Description: The equipment may only be used once and is not reusable for the purpose for which it was designed.
27	Package exchangeable at the point of delivery The package may be exchanged at the point of delivery.
29	Labeled The package is labeled. EDIFACT
1E	Unpack from (GS1 Temporary Code) Code identifying that goods should be unpacked from the identified package.
2E	Repack in (GS1 Temporary Code) Code identifying that goods should be repacked from the identified package.
3E	Pack in (GS1 Temporary Code) Code identifying that goods should be packed from the identified package.

Used Codes

X11	Packaging recycling fee paid by supplier (GS1 Temporary Code) The fee for recycling packaging is paid by the supplier.
XX1	Exchange Pallets (GS1 Temporary Code) The pallet is exchanged.
XX2	Return Pallets (GS1 Temporary Code) The pallet is returned.
XX3	Pallet - Third Party Exchange (GS1 Temporary Code) The pallet is exchanged by a third party.
XX4	No Exchange / No Return Pallet (GS1 Temporary Code) No pallet exchange or return.
7077	Description format code Code specifying the format of a description.
A	Free-form long description Long description of an item in free form.
B	Code and text Description of an item in coded and free form text.
C	Code (from industry code list) Description of an item in coded format. GS1 Description: Description of an item provided in coded format from an industry list.
D	Free-form price look up Price look-up description of a product for point of sale receipts.
E	Free-form short description Short description of an item in free form.
F	Free-form Description of an item in free form text. GS1 Description: Item related general free form text description, which is neither a short or long description of the item itself.
S	Structured (from industry code list) Description of an item in a structured format.
7143	Item type identification code Coded identification of an item type.
GN	National product group code National product group code. Administered by a national agency.

Used Codes

HS	<p>Harmonised system</p> <p>The item number is part of, or is generated in the context of the Harmonised Commodity Description and Coding System (Harmonised System), as developed and maintained by the World Customs Organization (WCO).</p>
IN	<p>Buyer's item number</p> <p>The item number has been allocated by the buyer.</p>
NB	<p>Batch number</p> <p>The item number is a batch number.</p> <p>GS1 Description: Number supplementing the identification code of a product used to identify the specific production place and/or time of a product.</p>
PV	<p>Promotional variant number</p> <p>The item number is a promotional variant number.</p> <p>GS1 Description: Number supplementing the identification code of a product and identifying that product as a variant of the standard product. To be used when the variation is not sufficiently significant to justify a change to the main identification code of the product.</p>
SA	<p>Supplier's article number</p> <p>Number assigned to an article by the supplier of that article.</p>
SN	<p>Serial number</p> <p>Identification number of an item which distinguishes this specific item out of a number of identical items.</p>
SRV	<p>GS1 Global Trade Item Number</p> <p>A unique number, up to 14-digits, assigned according to the numbering structure of the GS1 system. 'GS1' stands for the 'Global Standards One'.</p>
7233	<p>Packaging related description code</p> <p>Code specifying information related to packaging.</p>
1	<p>Product ingredients not marked on package</p> <p>The ingredients of the product are not marked on the packaging of the product.</p>
2	<p>Product price not marked on packaging</p> <p>The product price is not marked on the packaging of the product.</p>
3	<p>Product best before date not marked on product package</p> <p>The product best before date is not marked on the packaging of the product.</p>
4	<p>Package not marked recyclable</p> <p>Package is not marked as recyclable.</p>
5	<p>Promotional details marked</p> <p>A code indicating that promotional details have been marked on the package.</p>

Used Codes

7	Sell-by date marked on package The package is marked with the last date on which the item may be sold.
8	Use-by date marked on package The package is marked with the last date on which the item may be used.
9	Packaging / manufacturing date marked on package The package is marked with the date of the packaging or manufacturing of the item.
10	No freshness date marked on package Package is not marked with any kind of date indicating freshness, such as use-by, best before or packaging date.
31	Package best before date marked Package is marked with the product best before date.
32	Package marked recyclable The package is marked recyclable.
33	Package marked returnable The package is marked returnable.
50	Package barcoded EAN-13 or EAN-8 The package is barcoded with EAN-13 or EAN-8 code.
51	Package barcoded ITF-14 The package is barcoded with ITF-14 code.
52	Package barcoded UCC or EAN-128 The package is barcoded with UCC or EAN-128 code.
53	Package price marked The package is marked with the price.
54	Product ingredients marked on package The ingredients of the product contained in a package are marked on that package.
64	Package never EPC tagged. The package will never be tagged with an EPC (Electronic Product Code) transponder.
65	Package sometimes EPC tagged The package will sometimes be tagged with an EPC (Electronic Product Code) transponder.
78	Package bar-coded and EPC tagged The package is bar-coded and tagged with an EPC (Electronic Product Code) transponder.
79	Package EPC tagged only The package is tagged with an EPC (Electronic Product Code) transponder only.

Used Codes

80	Marked with "display until date" Package is marked with the date by which the product should be removed from the display location.
81	Package marked with a variable measure barcode The package is marked with a variable measure barcode.
82	Package marked with fixed measure barcode The package is marked with a fixed measure barcode.
LAB	Labeled according to General GS1 Specifications for clothing and fashion accessories (GS1 Temporary Code) The item is labeled according to the General GS1 Specifications for clothing and fashion accessories.
NAB	Not labeled acc. to GS1 (GS1 Temporary Code) Specifications for clothes and fashion accessoires
NBR	Not barcoded (GS1 Temporary Code) The package is not barcoded.
RL1	Peg hole round 1 (GS1 Temporary Code) The item's packaging has a round peg hole. (European norm DIN EN 13010:2003 (substitute for DIN 55512-1:1984-12))
SL1	Peg hole slot hole 1 (GS1 Temporary Code) The item's packaging has a slot peg hole of type 1. (European norm DIN EN 13010:2003 (substitute for DIN 55512-1:1984-12))
SL3	Peg hole slot hole 3 (GS1 Temporary Code) The item's packaging has a slot peg hole of type 3. (European norm DIN EN 13010:2003 (substitute for DIN 55512-1:1984-12))
X01	Composite Component A (GS1 Temporary Code) Packaging marked with CC-A barcode.
X02	Composite Component B (GS1 Temporary Code) Packaging marked with CC-B barcode.
X03	Composite Component C (GS1 Temporary Code) Packaging marked with CC-C barcode.
X04	RSS-14 (GS1 Temporary Code) Packaging marked with RSS-14 (GS1 DataBar) symbology.
X05	RSS-14 Stacked (GS1 Temporary Code) Packaging marked with RSS-14 (GS1 DataBar) stacked symbology.
X06	RSS-14 Staked omnidirectional (GS1 Temporary Code) Packaging marked with RSS-14 (GS1 DataBar) stacked omnidirectional symbology.
X07	RSS-14 Truncated (GS1 Temporary Code) Packaging marked with RSS-14 (GS1 DataBar) truncated symbology.

Used Codes

X08	RSS expanded (GS1 Temporary Code) Packaging marked with RSS (GS1 DataBar) expanded symbology.
X09	RSS expanded truncated (GS1 Temporary Code) Packaging marked with RSS (GS1 DataBar) expanded truncated symbology.
X10	RSS limited (GS1 Temporary Code) Packaging marked with RSS (GS1 DataBar) limited symbology.
X11	UPC A symbol (GS1 Temporary Code) Packaging marked with UPC A symbol.
X12	UPC E Symbol (GS1 Temporary Code) Packaging marked with UPC E symbol.
X13	EANUCC 14 Symbol (GS1 Temporary Code) Packaging marked with EAN UCC 14 symbology.
X14	Package not marked returnable (GS1 Temporary Code) Packaging marked with EAN UCC 14 symbology.
X15	Gift wrapping (GS1 Temporary Code) Trade item is packaged in a gift wrapping.
X16	Greeting card (GS1 Temporary Code) Trade item is accompanied by a greeting card.
7405	Object identification code qualifier Code qualifying the identification of an object.
AW	Serial shipping container code A single unique serial number which identifies shipping containers or shipping packages. GS1 Note: Replaces code BJ.
BJ	Serial shipping container code A single unique serial number which identifies shipping containers or shipping packages. GS1 Note: Code marked for deletion. Use AW instead. GS1 Description: A single unique serial number which identifies shipping containers or shipping packages.
BN	Serial number Identification number of an item which distinguishes this specific item out of a number of identical items.
BX	Batch number Unique number affixed by manufacturer to a batch of products produced under similar conditions.
CPE	Coupon number (GS1 Temporary Code) A number identifying a coupon which is attached to the identified product.

Used Codes

CQE	Cheque number (GS1 Temporary Code) A number identifying a cheque.
CRE	Price marked on product (GS1 Temporary Code) The price per unit of measure is marked on trade item.
CU	GS1 Global Individual Asset Identifier Unique number, consisting of the GS1 Company Prefix and an Individual Asset Reference. GS1 Note: Replaces GS1 Temporary Code IAG.
DA	GS1 Global Returnable Asset Identifier, without serial number A unique number, consisting of a fixed 13-digits part. It allows the unique identification of a particular type of Returnable Asset.
DB	GS1 Global Returnable Asset Identifier, with serial number A unique number, consisting of a fixed 13-digits part and a mandatory Serial Number of up to 16 digits. The fixed part allows for the unique identification of a particular kind of Returnable Asset, the second part is assigned to distinguish individual assets within a given Returnable Asset type.
DC	GS1 Global Identification Number for Consignment (GINC) A unique number that identify a consignment comprised of one or more logistic units that are intended to be transported together.
DD	GS1 Global Shipment Identification Number (GSIN) A unique number that identify a shipment comprised of one or more logistic units that are intended to be delivered together.
EI	IMEI The International Mobile Station Equipment Identity (IMEI) is a unique number to identify mobile phones. It includes the origin, model and serial number of the device. The structure is specified in 3GPP TS 23.003. GS1 Note: Replaces GS1 Temporary Code SUF.
SRV	GS1 Global Trade Item Number (GS1 Temporary Code) A unique number, up to 14-digits, assigned according to the numbering structure of the GS1 system. 'GS1' stands for the 'Global Standards One'. GS1 Note: Replaces code EU.
SUF	IMEI (GS1 Temporary Code) The International Mobile Station Equipment Identity (IMEI) is a unique number to identify mobile phones. It includes the origin, model and serial number of the device. The structure is specified in 3GPP TS 23.003. GS1 Note: Code marked for deletion. Use EI instead.

Example**UNA:+.?'**

The UNA segment contains the default service string characters.

UNB+UNOC:3+4012345000009:14:4012345000018+4000004000002:14:4000004000099+201212:1043+4711+REF:AA++++EANCOM+1'

The EANCOM file 4711 dated 12.12.2020, 10 h 43 is sent by the issuer identified with GLN 4012345000009 to the receiver identified with GLN 4000004000002.

UNH+ME000001+RECADV:D:01B:UN:EAN009'

The reference number of the RECADV message is ME000001.

BGM+632+87441+9'

The document number is 87441.

DTM+137:20201212:102'

The message was created on 12.12.2020.

DTM+50:20201212:102'

The goods receipt took place on 12.12.2020.

DTM+50:20121110002012121100:713'

The goods receipt period was 11.12.2020 to 12.12.2020.

DTM+178:20170823:102'

Time stamp arrival is 23.08.2017.

DTM+176:20210823:102'

Time stamp call for loading / unloading is 23.08.2021.

DTM+772:20210823:102'

Time stamp start of loading / unloading is 23.08.2021.

DTM+774:20210823:102'

Time stamp end of loading / unloading is 23.08.2021.

DTM+261:20210823:102'

Time stamp release to exit is 23.08.2021.

RFF+AAK:4710'

The message references to despatch advice number 4710.

RFF+ON:4711'

The message references to buyers order number 4711.

RFF+DQ:4714'

The message references to delivery note number 4714.

NAD+DP+4089876511111::9++Warenempfänger-Name 1:Warenempfänger-Name 2:Warenempfänger-Name 3+Maarweg 104+Köln++50825+DE'

The delivery party is identified by GLN 4089876511111.

RFF+YC1:0816'

The additional identification is 0816.

RFF+EID:0815'

The Economic operator identifier (EO-ID) is 0815.

RFF+FID:0815'

The Facility identifier (F-ID) is 0815.

NAD+UC+4089876986411::9++Endempfänger-Name 1:Endempfänger-Name 2:Endempfänger-Name 3+Maarweg 104+Köln++50825+DE'

Example

The ultimate consignee is identified by GLN 4089876986411.

RFF+YC1:0816'

The additional identification is 0816.

NAD+BY+4071615111110::9+123ABC:X:X:X:X'

The buyer/invoicee is identified by GLN 4071615111110.

RFF+GN:HRB-471111'

German statements on business letters: HRB-471111

RFF+YC1:0815'

The additional identification is 0815.

RFF+EID:0815'

The Economic operator identifier (EO-ID) is 0815.

CTA+PD+AG-TI406:Herr Schmidt'

Purchasing contact person is Mr. Schmidt

NAD+IV+4071615192710::9'

Invoicee is identified by GLN 4071615192710.

RFF+YC1:0815'

The additional identification is 0815.

NAD+SU+4389876511113::9'

The supplier is identified by GLN 4389876511113.

RFF+YC1:0817'

The additional identification is 0817.

NAD+FW+4154321000005::9'

The freight forwarder is identified by GLN 4154321000005.

RFF+YC1:0818'

The additional identification is 0818.

CPS+1'

Sequential number 1.

PAC+10++201::9'

10 Pallets ISO 1 - 1/1 EURO Pallet

CPS+2+1'

Sequence number two.

PAC+1+:52+201::9'

This consignment line contains 1 EURO pallet.

PCI+39'

Package identification

GIN+AW+340123450000000014'

The SSCC is 340123450000000014

PCI+47'

Identification with GRAI

GIN+DA+401234500003000124'

The GRAI is 401234500003000124

PCI+34'

Identification with GIAI

Example

GIN+CU+40123456XY156 'The GIAI is 40123456XY156

PCI+IEN+12337616644 'Package identification

CPS+3+2 'Sequence number 3.

PAC+1+:52+201::9 'This consignment line contains 1 EURO pallet.

PCI+39 'Package identification

GIN+AW+340123450000000014 'The SSCC is 340123450000000014

PCI+47 'Identification with GRAI

GIN+DA+401234500003000125 'The GRAI is 401234500003000125

PCI+34 'Identification with GIAI

GIN+CU+40123456XY157 'The GIAI is 40123456XY157

PCI+IEN+12337616644 'Package identification

PCI+16+Code:DESCR 'Label information

LIN+1++4056786542381:SRV 'The despatched product is identified by GTIN 4056786542381.

PIA+5+ABC5343:SA::91 'Only if LIN does not provide GTIN: Articleidentification in PIA

PIA+1+7788:SA::91 'The product with GTIN 4056786542381 is additionally identified with suppliers article number 7788.

PIA+1+1234:IN::92 'The product with GTIN 4056786542381 is additionally identified with buyers article number 1234.

PIA+1+4056786542381:PV::9 'The product identified with GTIN 4056786542381 is a promotional variant.

PIA+1+CH-X4711:NB::91 'The batch number of the product is CH-X4711.

PIA+1+CH-X4711:SN::91 'The serial number of the product is CH-X4711.

QTY+46:9 'The delivered quantity is 9 pieces.

QTY+12:5:KGM '

Example

The advised quantity is 5 kgm.

QTY+194:5'

The accepted quantity is 5 pieces.

QVR+-4:195+AF+AT'

4 damaged units have not been accepted.

DTM+361:20201231:102'

Best before date is the 31th of December 2020.

DTM+36:20201231:102'

Expiry date is the 31th of December 2020.

RFF+UC:7001:4711'

The receiving advice refers to ultimate customers order number 7001, line 4711.

RFF+ON:4811:7'

The despatch advice refers to line 7 of buyers order number 4811.

RFF+XA:WEEE DE 13345678'

The WEEE registration number is DE 13345678.

RFF+TAU:4714'

The message references to the aggregated level unique identifier (aUI) 4714.

RFF+TUU:4714'

The message references to the unit packet level unique identifier (upID) 4714.

PCI+17+1:1:1:1:1:1:1:1:1:1'

The package is marked with instructions.

GIN+BX+987654'

The batch number is 987654.

GIN+SRV+4000862141423'

The GTIN is 4000862141423.

GIN+BN+999888777+ABC123+ABC123+ABC123+ABC123'

The serialised GTIN is 4000862141423999888777.

PCI+16+Code:DESCR'

The use of DE 7102 must be bilaterally agreed.

LIN+2++4000862141423:SRV+1:1'

Sub line to describe units included in assortment/display

PIA+5+ABC5343:SA::91'

Only if LIN does not provide GTIN: Article identification in PIA

PIA+1+ABC5343:SA::91+XYZ987:IN::92+1111:GN::246+0815:SN::91'

Suppliers internal article number ABC5343, Buyers article number XYZ987, Article Group number 1111, Serial number 0815.

PIA+1+CH-5343:NB::91+XYZ987:HS+4012368259753:PV::91'

Batch number, Harmonized system, Promotional variant.

QTY+45E:12'

The display contains 12 consumer units.

CNT+2:1'

The message contains one line.

UNT+101+ME000001'

Example

The message contains 46 segments

UNZ+1+4711'

The transmission file contains 1 message.
